

# 33206

## MOUNT KIT

Kubota LX Series Tractor

2020—\_\_

### Installation Instructions

**▲ CAUTION**

Read this document before installing the snowplow.

**▲ CAUTION**

See your sales outlet/website for specific vehicle application recommendations before installation. The online selection system has specific vehicle and snowplow requirements.

**SAFETY DEFINITIONS**

**⚠ WARNING**  
 Indicates a potentially hazardous situation that, if not avoided, could result in death or serious personal injury.

**⚠ CAUTION**  
 Indicates a potentially hazardous situation that, if not avoided, may result in minor or moderate injury. It may also be used to alert against unsafe practices.

**NOTE:** Indicates a situation or action that can lead to damage to your snowplow and vehicle or other property. Other useful information can also be described.

**WARNING/CAUTION & INSTRUCTION LABELS**



Become familiar with and inform users about the warning and instruction labels on the back of the blade.




**NOTE:** If labels are missing or cannot be read, see your sales outlet.

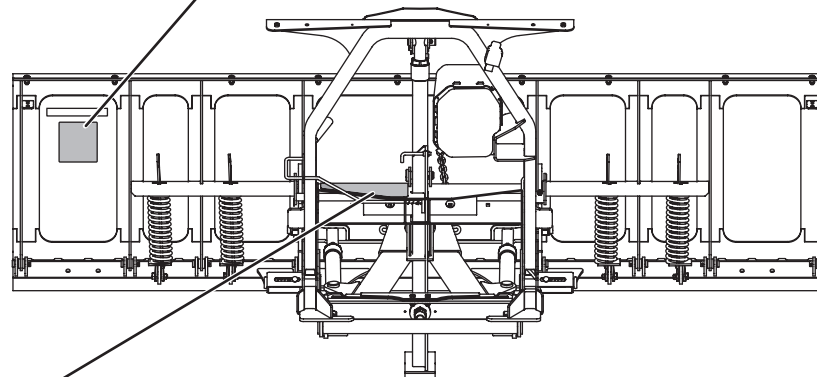
Mount Caution Label

**⚠ CAUTION**  
 Loader **MUST** be removed before attaching snowplow.  
 Failure to do so may overload front axle or cause equipment interference, damaging tractor or snowplow.

Warning/Caution Label

**⚠ WARNING**  
 Lower blade when vehicle is parked.  
 Do not exceed GVWR or GAWR including blade and ballast.

**⚠ CAUTION**  
 Read Owner's Manual before operating or servicing snowplow.  
 Transport speed should not exceed 45 mph (72 km/h). Further reduce speed under adverse travel conditions.  
 Plowing speed should not exceed 10 mph (16 km/h).  
 See your sales outlet/website for specific vehicle application recommendations.



Instruction Label

## SAFETY PRECAUTIONS

Improper installation and operation could cause personal injury and/or equipment and property damage. Read and understand labels and the Owner's Manual before installing, operating, or making adjustments.

### **⚠ WARNING**

**Lower the blade when vehicle is parked. Temperature changes could change hydraulic pressure, causing the blade to drop unexpectedly or damaging hydraulic components. Failure to do this could result in serious personal injury.**

### **⚠ WARNING**

**The driver shall keep bystanders clear of the blade when it is being raised, lowered, or angled. Do not stand between vehicle and blade or within 8 feet of a moving blade. A moving or falling blade could cause personal injury.**

### **⚠ WARNING**

**Keep hands and feet clear of the blade and A-frame when mounting or removing the snowplow. Moving or falling assemblies could cause personal injury.**

### **⚠ WARNING**

**To prevent accidental movement of the blade, always turn the control OFF whenever the snowplow is not in use. The power indicator light will turn OFF.**

### **⚠ WARNING**

**Remove blade assembly before placing vehicle on hoist.**

### **⚠ CAUTION**

**Refer to the online selection system for minimum vehicle recommendations and ballast requirements.**

## PERSONAL SAFETY

- Remove the ignition key and set the vehicle parking brake to prevent others from starting the vehicle during installation or service.
- Wear only snug-fitting clothing while working on your vehicle or snowplow.
- Do not wear jewelry or a necktie, and secure long hair.
- Wear safety goggles to protect your eyes from battery acid, gasoline, dirt, and dust.
- Avoid touching hot surfaces such as the engine, radiator, hoses, and exhaust pipes.
- Always have a fire extinguisher rated BC handy, for flammable liquids and electrical fires.

## FIRE AND EXPLOSION

### **⚠ WARNING**

**Gasoline is highly flammable and gasoline vapor is explosive. Never smoke while working on vehicle. Keep all open flames away from gasoline tank and lines. Wipe up any spilled gasoline immediately.**

Be careful when using gasoline. Do not use gasoline to clean parts. Store only in approved containers away from sources of heat or flame.

## CELL PHONES

A driver's first responsibility is the safe operation of the vehicle. The most important thing you can do to prevent a crash is to avoid distractions and pay attention to the road. Wait until it is safe to operate mobile communication equipment such as cell phones, text messaging devices, pagers, or two-way radios.

## VENTILATION

### **⚠ WARNING**

**Vehicle exhaust contains lethal fumes. Breathing these fumes, even in low concentrations, can cause death. Never operate a vehicle in an enclosed area without venting exhaust to the outside.**

**NOISE**

Airborne noise emission during use is below 70 dB(A) for the snowplow operator.





**VIBRATION**

Operating snowplow vibration does not exceed 2.5 m/s<sup>2</sup> to the hand-arm or 0.5 m/s<sup>2</sup> to the whole body.


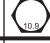


**TORQUE CHART**

**⚠ CAUTION**

**Read instructions before assembling. Fasteners should be finger tight until instructed to tighten according to the torque chart. Use standard methods and practices when attaching snowplow, including proper personal protective safety equipment.**

<b>Recommended Fastener Torque Chart</b>					
<b>Inch Fasteners Grade 5 and Grade 8</b>					
Size	Torque (ft-lb)		Size	Torque (ft-lb)	
	 Grade 5	 Grade 8		 Grade 5	 Grade 8
1/4-20	8.4	11.9	9/16-12	109	154
1/4-28	9.7	13.7	9/16-18	121	171
5/16-18	17.4	24.6	5/8-11	150	212
5/16-24	19.2	27.3	5/8-18	170	240
3/8-16	30.8	43.6	3/4-10	269	376
3/8-24	35.0	49.4	3/4-16	297	420
7/16-14	49.4	69.8	7/8-9	429	606
7/16-20	55.2	77.9	7/8-14	474	669
1/2-13	75.3	106.4	1-8	644	909
1/2-20	85.0	120.0	1-12	704	995

<b>Metric Fasteners Class 8.8 and 10.9</b>					
Size	Torque (ft-lb)		Size	Torque (ft-lb)	
	 Class 8.8	 Class 10.9		 Class 8.8	 Class 10.9
M6 x 1.00	7.7	11.1	M20 x 2.50	325	450
M8 x 1.25	19.5	26.9	M22 x 2.50	428	613
M10 x 1.50	38.5	53.3	M24 x 3.00	562	778
M12 x 1.75	67	93	M27 x 3.00	796	1139
M14 x 2.00	107	148	M30 x 3.50	1117	1545
M16 x 2.00	167	231	M33 x 3.50	1468	2101
M18 x 2.50	222	318	M36 x 4.00	1952	2701

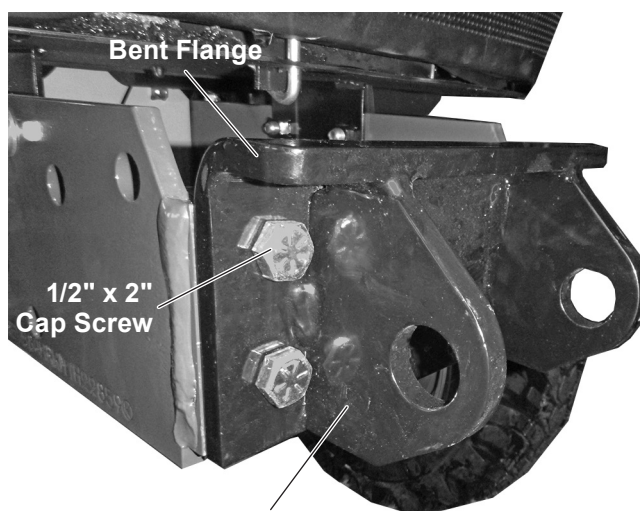
These torque values apply to fasteners except those noted in the instructions.

## INSTALLATION INSTRUCTIONS

**NOTE:** For easier assembly and installation, the vehicle and all snowplow components should be on a smooth, level, hard surface, such as concrete.

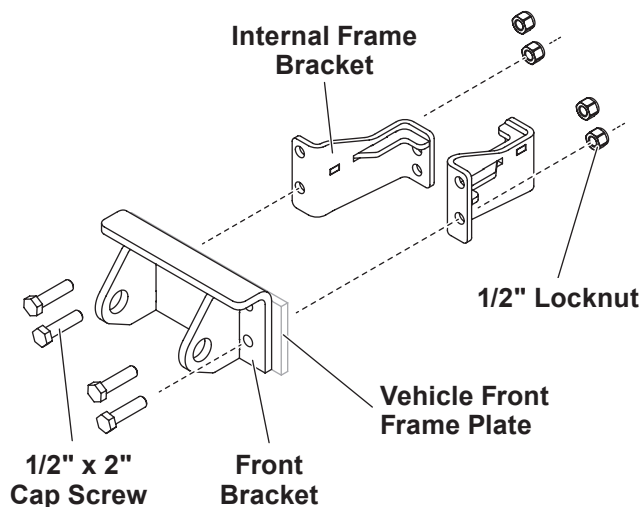
1. Remove the loader, snow blower, mower, or any other equipment and associated brackets installed to the front portion of the vehicle's frame.
2. If required, the brush guard may be removed to ease installation. Save the brush guard and fasteners for reinstallation if the snowplow mount is removed.

3. With the bent flange facing up, place the front bracket against the front frame plate of the vehicle.



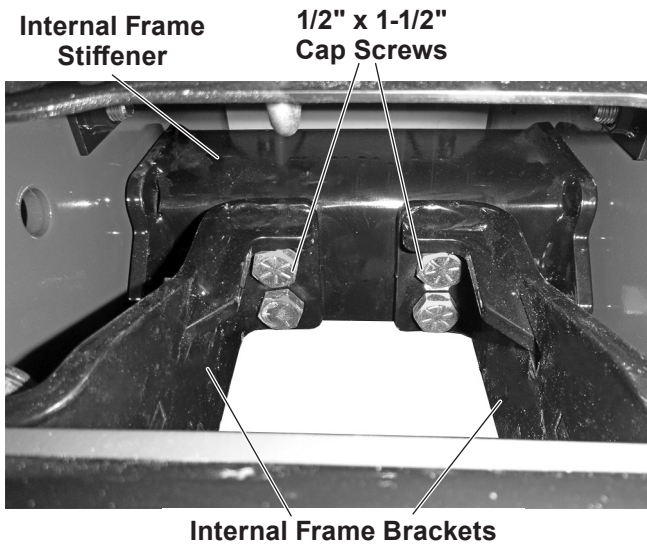
**Front Bracket**

4. Insert four 1/2" x 2" cap screws through the front bracket and front frame plate. Place the left- and right-side internal frame brackets inside the frame, over the cap screws so that the front frame plate is sandwiched between the front and internal frame brackets.



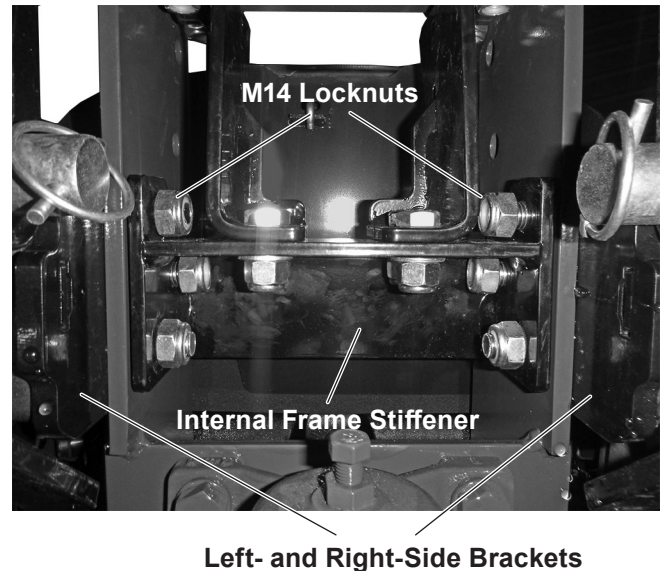
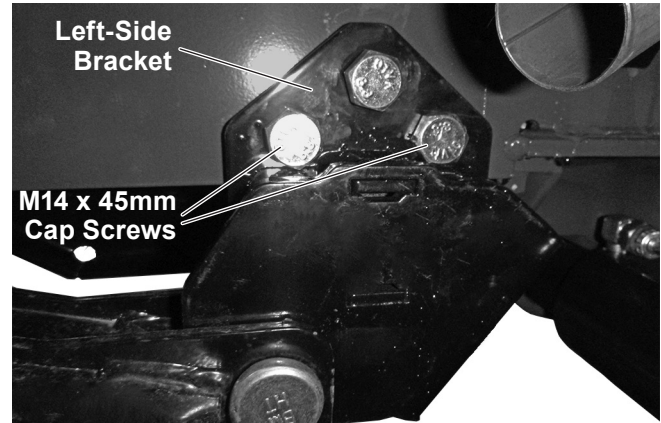
5. Place a 1/2" locknut on each cap screw and hand tighten.

- Place the internal frame stiffener between the frame rails, immediately behind the internal frame brackets.



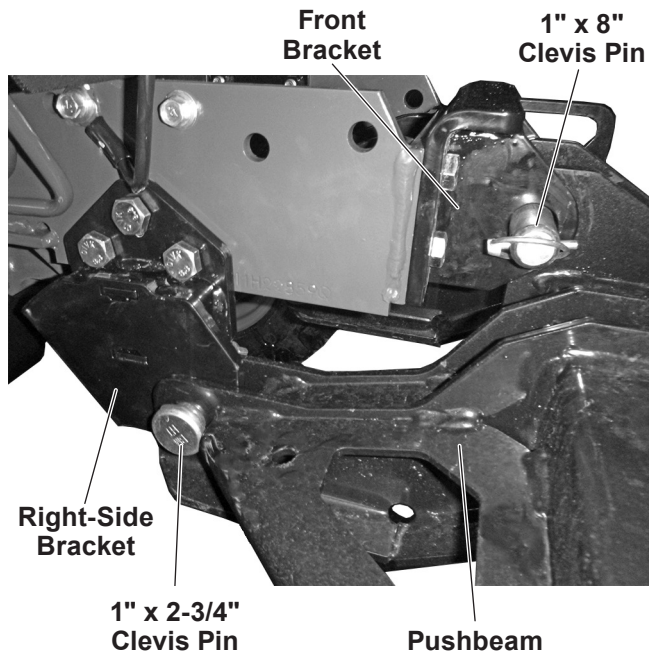
- Secure the internal frame stiffener to the internal frame brackets with four 1/2" x 1-1/2" cap screws, four 1/2" washers, and four 1/2" locknuts. Hand tighten.

- Align the holes in the left-side bracket with the holes on the left-side frame rail. Insert three M14 x 45mm cap screws through the left-side bracket, the frame rail, and the internal frame stiffener. Place a M14 locknut on each cap screw and hand tighten.



- Repeat Step 8 with the right-side bracket on the right-side frame rail.
- Tighten all fasteners according to the torque chart.

11. Pin the pushbeam to the front bracket with the 1" x 8" clevis pin and a 3/16" linchpin. Pin the pushbeam to the left- and right-side brackets with one 1" x 2-3/4" clevis pin and one 3/16" linchpin per side. Confirm that the pushbeam is parallel with the front of the frame and the ground.



**NOTE: After five to ten hours of snowplow usage, retorque all mount assembly fasteners.**

The company reserves the right under its product improvement policy to change construction or design details and furnish equipment when so altered without reference to illustrations or specifications used. This equipment manufacturer or the vehicle manufacturer may require or recommend optional equipment for snow removal. Do not exceed vehicle ratings with a snowplow. The company offers a limited warranty for all snowplows and accessories. See separately printed page for this important information.

**Printed in U.S.A.**

---