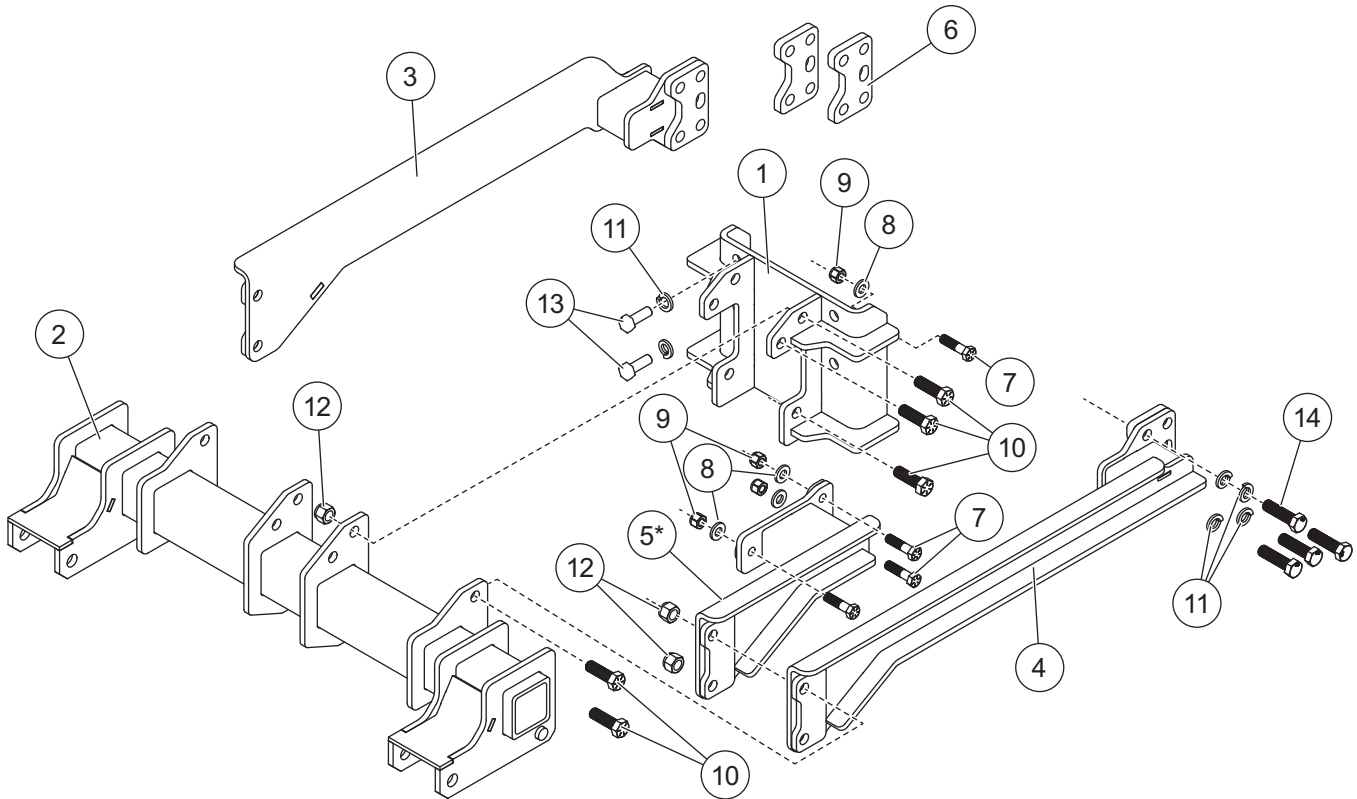


December 15, 2021
 Lit. No. 30663, Rev. 02

PARTS LIST



*** Not used for all applications.
 See Installation Instructions.**

33656 Mount Kit							
Item	Part	Qty	Description	Item	Part	Qty	Description
1	30691	1	Front Assembly	ns	72168	1	Vehicle Cable Assembly
2	30693	1	Mount Beam	ns	74077	1	Jumper Connector, 4-Position
3	30689	1	Thrust Arm, Left	ns	28587	1	Vehicle Control Harness
4	30690	1	Thrust Arm, Right	ns	61548K	1	Plug Cover Kit
5*	30694	1	Thrust Arm – 2501	ns	90730	1	Fuse Kit, 200A
6	30688	2	Spacer Plate	ns		12	Cable Tie
ns	77506	1	Label – Caution, Tractor RMV Loader	ns		1	Heat Shrink Tubing
ns	30661	1	Bolt Bag	ns		1	Splice Package
30661 Bolt Bag							
7		5	1/2-13 x 2 Hex Cap Screw G8	11		12	5/8 Spring Lock Washer
8		5	1/2 Hardened Flat Washer Type 1	12		10	5/8-11 Hex Locknut GB
9		5	1/2-13 Hex Locknut GB	13		4	M14-1.5 x 40 Hex Cap Screw G8.8
10		10	5/8-11 x 2 Hex Cap Screw G8	14		8	M16-1.5 x 60 Hex Cap Screw G8.8
			ns = not shown			M = Metric	
						G = Grade	

* Not used for all applications. See Installations Instructions.

Copyright © 2021 Douglas Dynamics, LLC. All rights reserved. This material may not be reproduced or copied, in whole or in part, in any printed, mechanical, electronic, film, or other distribution and storage media, without the written consent of the company. Authorization to photocopy items for internal or personal use by the company's outlets or snowplow owner is granted.

The company reserves the right under its product improvement policy to change construction or design details and furnish equipment when so altered without reference to illustrations or specifications used. This equipment manufacturer or the vehicle manufacturer may require or recommend optional equipment for snow removal. Do not exceed vehicle ratings with a snowplow. The company offers a limited warranty for all snowplows and accessories. See separately printed page for this important information.

Printed in U.S.A.
