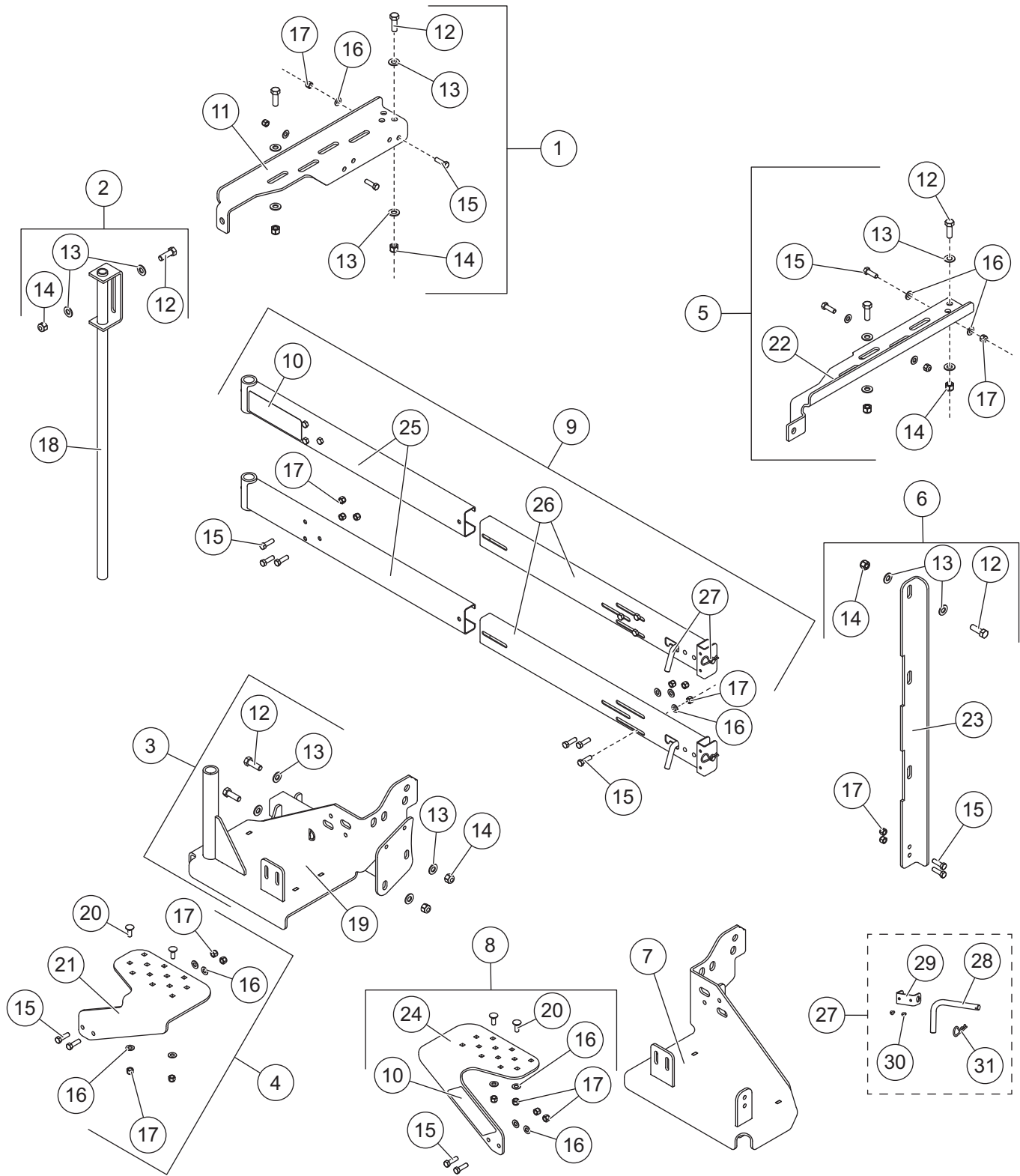


PARTS LIST



Items 3 and 7 bracket assemblies also use OEM fasteners (not shown).

31350 Pivot Mount							
Item	Part	Qty	Description	Item	Part	Qty	Description
1	75965	1	Top Plate Kit – DS	7	74702	1	Bracket Assembly – PS
2	74701	1	Pivot Tube Assembly	8	74705	1	Spreader Rest Kit – PS
3	74700	1	Bracket Assembly – DS	9	75960	1	Channel Assembly Kit
4	74703	1	Spreader Rest Kit – DS	10	P2110	2	Label – Caution, Do Not Swing
5	75966	1	Top Plate Kit – PS	ns	74707	1	Bolt Bag
6	74704	1	Latch Bar Kit				
<b>Item 1 75965 Top Plate Kit – DS</b>							
11		1	Top Plate – DS	15		2	3/8-16 x 1-1/2 Hex Cap Screw G5
12		2	1/2-13 x 1-1/2 Hex Cap Screw G5	16		2	3/8 Flat Washer
13		4	1/2 Flat Washer	17		2	3/8-16 Hex Locknut GB
14		2	1/2-13 Hex Locknut GB				
<b>Item 2 74701 Pivot Tube Assembly</b>							
12		1	1/2-13 x 1-1/2 Hex Cap Screw G5	14		1	1/2-13 Hex Locknut GB
13		2	1/2 Flat Washer	18	57309	1	Pivot Tube Assembly
<b>Item 3 74700 Bracket Assembly – DS</b>							
12		2	1/2-13 x 1-1/2 Hex Cap Screw G5	14		2	1/2-13 Hex Locknut GB
13		4	1/2 Flat Washer	19		1	Bracket Assembly – DS
<b>Item 4 74703 Spreader Rest Kit – DS</b>							
15		2	3/8-16 x 1-1/4 Hex Cap Screw G5	20		2	3/8-16 x 1 Carriage Bolt
16		4	3/8 Flat Washer	21		1	Spreader Rest – DS
17		4	3/8-16 Hex Locknut GB				
<b>Item 5 75966 Top Plate Kit – PS</b>							
12		2	1/2-13 x 1-1/2 Hex Cap Screw G5	16		2	3/8 Flat Washer
13		4	1/2 Flat Washer	17		2	3/8-16 Hex Locknut GB
14		2	1/2-13 Hex Locknut GB	22		1	Top Plate – PS
15		2	3/8-16 x 1-1/2 Hex Cap Screw G5				
<b>Item 6 74704 Latch Bar Kit</b>							
12		1	1/2-13 x 1-1/2 Hex Cap Screw G5	15		2	3/8-16 x 1-1/4 Hex Cap Screw G5
13		2	1/2 Flat Washer	17		2	3/8-16 Hex Locknut GB
14		1	1/2-13 Hex Locknut GB	23		1	Latch Bar
<b>Item 8 74705 Spreader Rest Kit – PS</b>							
10	P2110	1	Label – Caution, Do Not Swing	17		4	3/8-16 Hex Locknut GB
15		2	3/8-16 x 1-1/4 Hex Cap Screw G5	20		2	3/8-16 x 1 Carriage Bolt
16		4	3/8 Flat Washer	24		1	Spreader Rest – PS
<b>Item 9 75960 Channel Assembly Kit</b>							
10	P2110	1	Label – Caution, Do Not Swing	25		2	Pivot Channel
15		12	3/8-16 x 1-1/4 Hex Cap Screw G5	ns		2	Grease Fitting
16		6	3/8 Flat Washer	26		2	Latch Channel
17		12	3/8-16 Hex Locknut GB	27	75556	2	Lock Pin Kit
<b>Item 27 75556 Lock Pin Kit</b>							
28		1	Lock Pin	30		2	3/16 Pop Rivet
29		1	Latch Pin Slide	31		1	1/8 Hairpin Cotter
ns = not shown				G = Grade			

Copyright © 2019 Douglas Dynamics, LLC. All rights reserved. This material may not be reproduced or copied, in whole or in part, in any printed, mechanical, electronic, film, or other distribution and storage media, without the written consent of the company. Authorization to photocopy items for internal or personal use by the company's outlets or spreader owner is granted.

The company reserves the right under its product improvement policy to change construction or design details and furnish equipment when so altered without reference to illustrations or specifications used. This equipment manufacturer or the vehicle manufacturer may require or recommend optional equipment for spreaders. Do not exceed vehicle ratings with a spreader. The company offers a limited warranty for all spreaders and accessories. See separately printed page for this important information.