

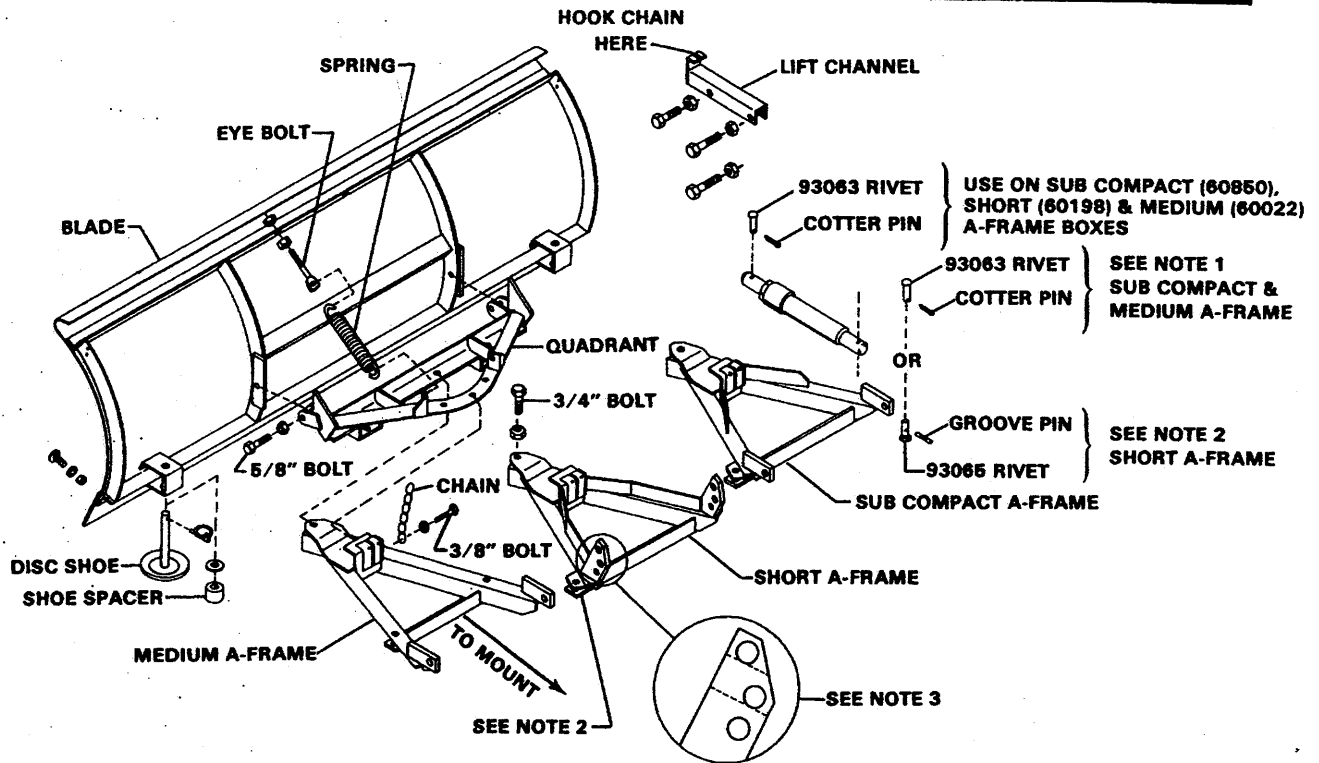


WESTERN PRODUCTS
 7777 NORTH 73RD STREET
 P.O. BOX 23045
 MILWAUKEE, WISCONSIN 53223

A DIVISION OF DOUGLAS DYNAMICS, INC.

SUB-COMPACT
 COMPACT
 STANDARD
 Blade, A-Frame
 Quadrant & Lift Channel

**INSTALLATION ILLUSTRATION
 & INSTRUCTIONS**



QUADRANT TO BLADE

Assemble the quadrant to the blade with the quadrant lugs straddling the center ribs. Secure with $\frac{5}{8}$ " x 3" bolts and locknuts. **DO NOT** collapse lugs inward by overtightening bolts.

SPRINGS AND EYEBOLTS

Install one nut half way down on each eyebolt. Hook the springs to the eyebolts and quadrant brackets. Place the eyebolts through the holes in the top angle of the blade and tighten by installing a second nut above the angle. Tighten only until the coils begin to separate, (instruction sheet should pass between the second and third coils), and lock in place using the nut below the angle.

A-FRAME TO QUADRANT

Assemble the A-Frame to the quadrant, positioning the straight quadrant angle between the formed nose plate and angle of the A-Frame, and the curved quadrant angle under the retainer bar welded to the rear of the formed nose plate. Attach using $\frac{3}{4}$ " x 2" bolt and nut on Sub-Compact units or $\frac{3}{4}$ " x 2 $\frac{1}{2}$ " bolt and nut on Compact and Standard units. Tighten just enough to permit free pivotal motion.

HYDRA-TURN® CYLINDER ATTACHMENT

Attach the two Hydra-Turn® cylinders to the brackets on either side of the A-Frame and Quadrant. Attach ram end of cylinders to quadrant with furnished rivets inserted from top down and secured with cotter pins.

The threaded cylinder ports in base end of cylinder should be outward.

NOTE 1: Installations using Sub Compact A&Q Box 60850 or Medium A&Q Box 60022 with Hydra-Turn®, attach base end of cylinders to A-Frame with rivets inserted from top down and secured with cotter pins.

NOTE 2: Installations using Short A&Q Box 60198 with Hydra-Turn®, attach base end of cylinder to A-Frame with rivets inserted from bottom upward and secured with groove pins.

A-FRAME TO MOUNT

Couple the A-Frame to the mount spreader frame lugs using $\frac{5}{8}$ " x 4 $\frac{3}{4}$ " hitch pins on Sub-Compact units or 1" x 3 $\frac{1}{2}$ " hitch pins on Compact and Standard units. Secure hitch pins with hairpin cotters.

NOTE 3: Select hole in A-Frame lugs so bottom of A-Frame is parallel to road. Cut off lugs above selected holes (cut per inset above).

LIFT CHANNEL

Assemble the lift channel to the upper U-bracket of the lift assembly with the $\frac{3}{4}$ " x 3 $\frac{1}{2}$ " bolt and locknut. Tighten to permit free pivotal motion.

CHAIN TO A-FRAME AND LIFT CHANNEL

Place the chain between retainer bar lugs and secure using $\frac{3}{8}$ " x 2 $\frac{1}{2}$ " bolt and locknut. With hydraulic cylinder collapsed pull the chain tight and hook it to the lift channel. After it is hooked it will have the correct amount of slack for blade "float".

Raise, lower and angle the plow, check oil level and refill to top with automatic transmission fluid.