



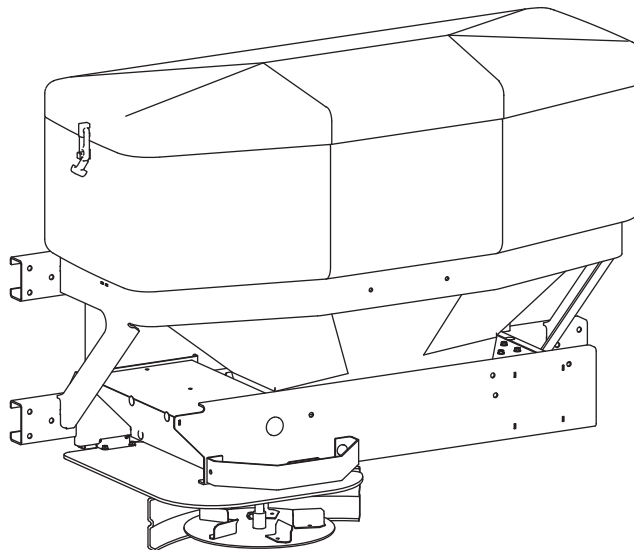
**PRO-FLO™ 900**

# Hopper and Drive Components

**PRO-FLO™ 900**

**Low-Profile Tailgate Spreader #91850**

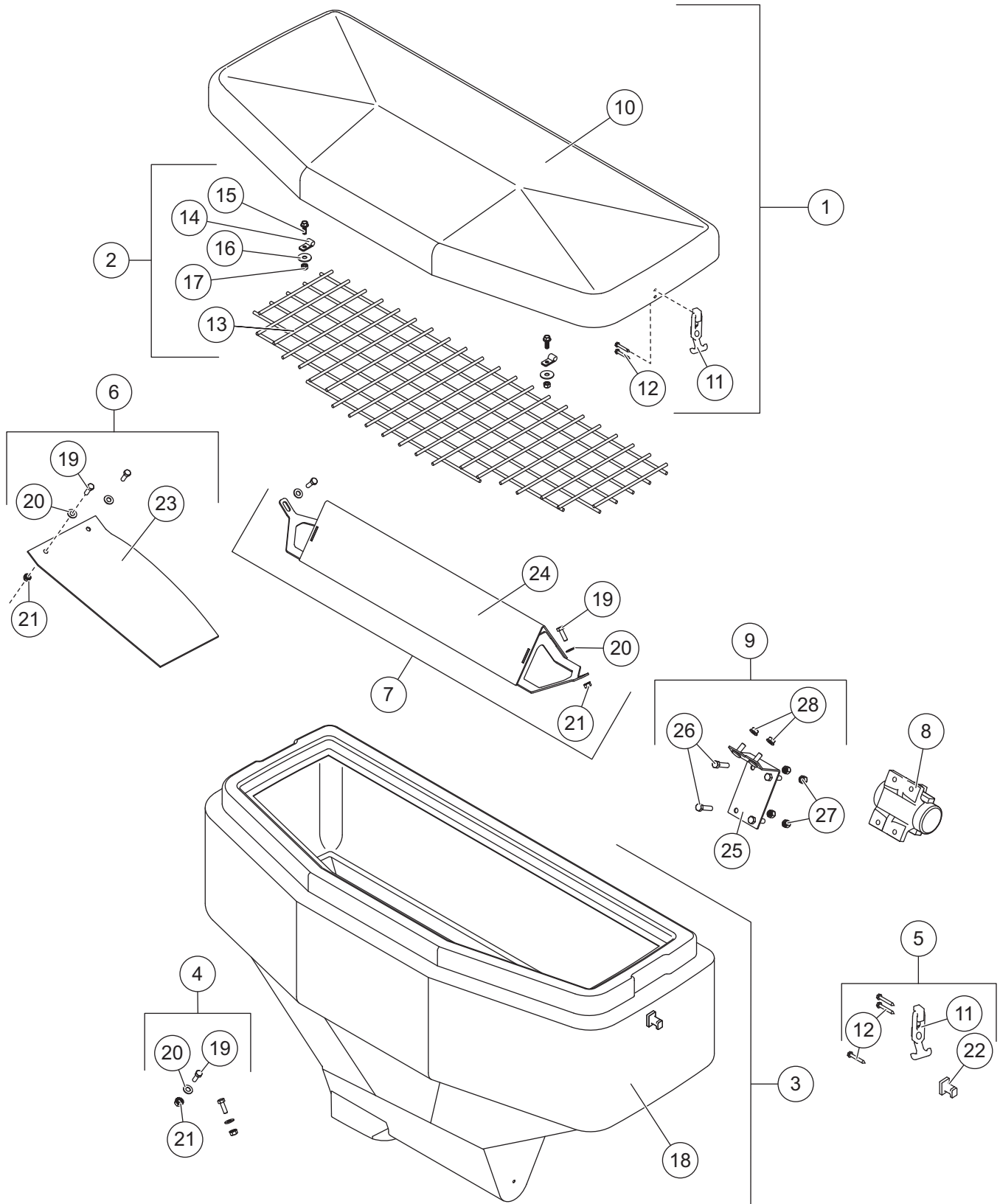
## Parts List



This Parts List is for WESTERN® PRO-FLO 900 Low-Profile Tailgate Spreaders with serial numbers beginning with 150601 through 160729.

# PRO-FLO™ 900 LOW-PROFILE TAILGATE SPREADER

## HOPPER, VIBRATOR & INVERTED V



# PRO-FLO™ 900 LOW-PROFILE TAILGATE SPREADER

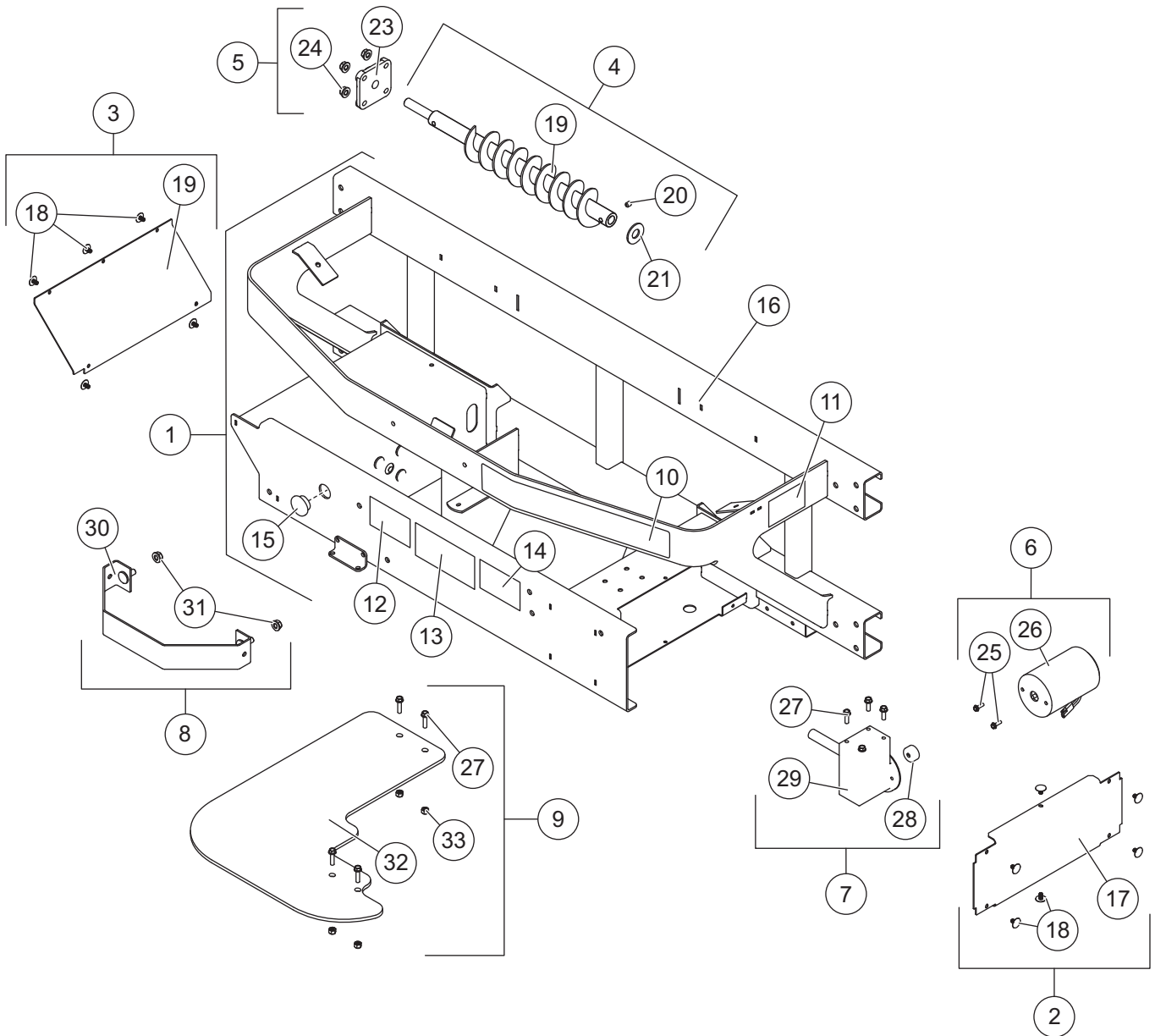
<b>Hopper, Vibrator &amp; Inverted V</b>							
<b>Item</b>	<b>Part</b>	<b>Qty</b>	<b>Description</b>	<b>Item</b>	<b>Part</b>	<b>Qty</b>	<b>Description</b>
1	75677	1	Lid Kit	6	75681	1	Baffle Kit
2	75680	1	Top Screen Kit	7	75682	1	Inverted V Kit
3	75908	1	Hopper Kit PRO-FLO 900*	8	75673	1	Vibrator, DC-80
4	75614	1	Hopper Hardware Kit	9	75683	1	Vibrator Mount Bracket Kit
5	75612	1	Hopper Strap Kit				
<b>Item 1</b>				<b>75677 Lid Kit</b>			
10		1	Lid Assembly	12		4	#10 x 3/4 Hex Washer-Head Slotted Cap Screw
11		2	Flexible Draw Latch				
<b>Item 2</b>				<b>75680 Top Screen Kit</b>			
13		1	Top Screen 40 x 14	16		2	1/4 x 1 Flat Washer SS
14		2	5/16 Clamp	17		2	1/4-20 Hex Locknut SS
15		2	1/4-20 x 3/4 Hex Cap Screw Serrated Flange SS				
<b>Item 3</b>				<b>75908 Hopper Kit PRO-FLO 900*</b>			
4	75614	1	Hopper Hardware Kit	18		1	Hopper 8.75 ft <sup>3</sup> – Red
<b>Item 4</b>				<b>75614 Hopper Hardware Kit</b>			
19		2	5/16-18 x 1-1/4 Hex Cap Screw SS	21		2	5/16-18 Hex Locknut SS
20		2	3/8 Flat Washer SS				
<b>Item 5</b>				<b>75612 Hopper Strap Kit</b>			
11		2	Flexible Draw Latch	22		2	Latch Keeper
12		6	#10 x 3/4 Hex Washer-Head Tapping Screw SS				
<b>Item 6</b>				<b>75681 Baffle Kit</b>			
19		2	5/16-18 x 1-1/4 Hex Cap Screw SS	21		2	5/16-18 Hex Locknut SS
20		2	3/8 Flat Washer SS	23		1	Material Baffle
<b>Item 7</b>				<b>75682 Inverted V Kit</b>			
19		2	5/16-18 x 1-1/4 Hex Cap Screw SS	21		2	5/16-18 Hex Locknut SS
20		2	3/8 Flat Washer SS	24		1	Inverted V
<b>Item 9</b>				<b>75683 Vibrator Mount Bracket Kit</b>			
25		1	Mounting Bracket, Inverted V	27		4	3/8-16 Hex Locknut
26		4	3/8-16 x 1-1/2 Hex Cap Screw	28		2	3/8-16 Hex Nut Serrated Flange

SS = Stainless Steel

\* Hopper ships with two latch keepers installed.

# PRO-FLO™ 900 LOW-PROFILE TAILGATE SPREADER

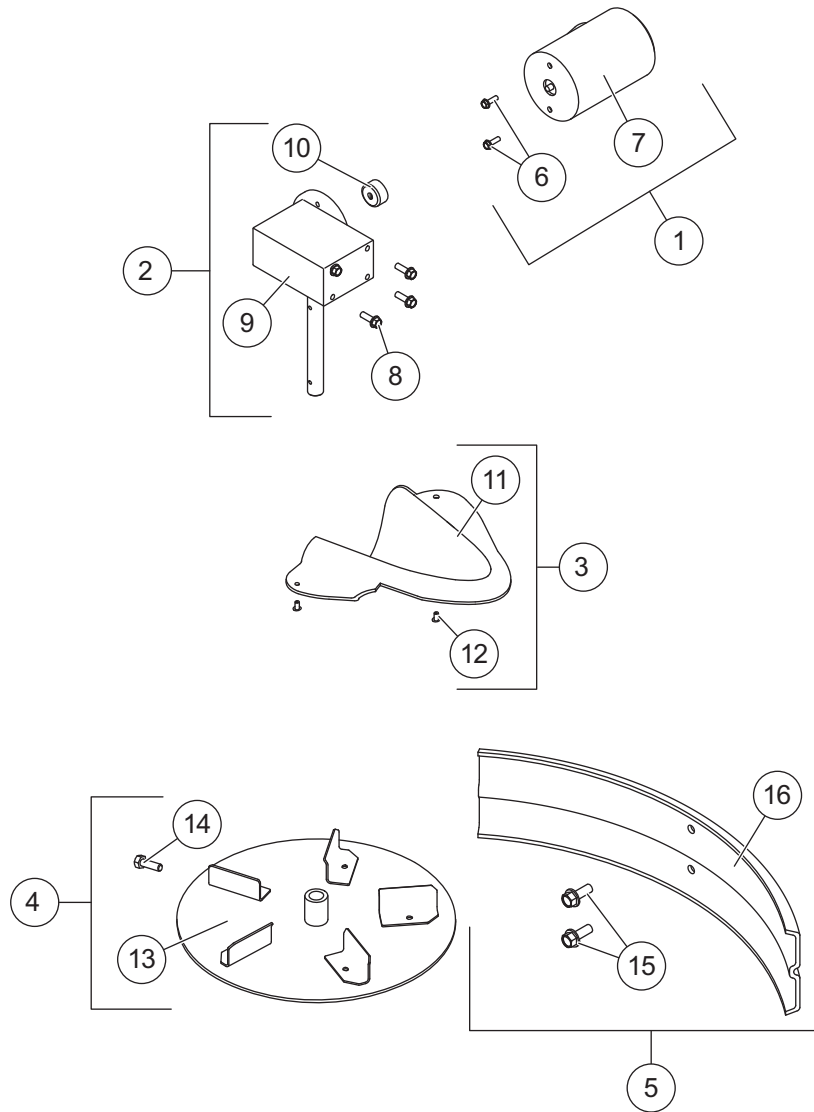
## FRAME, AUGER & SPINNER GUARD





# PRO-FLO™ 900 LOW-PROFILE TAILGATE SPREADER

## SPINNER, CHUTE & DEFLECTOR

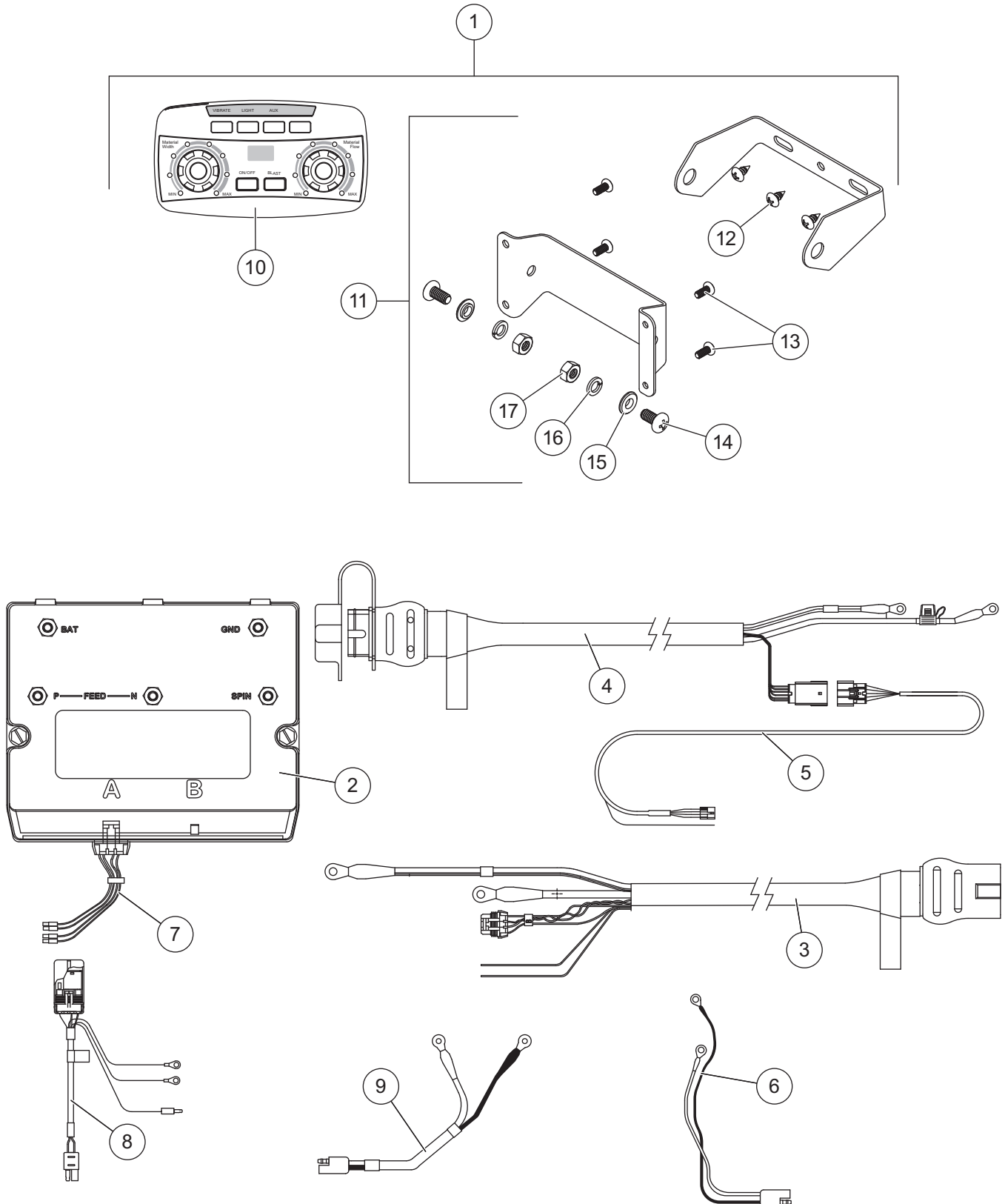


## PRO-FLO™ 900 LOW-PROFILE TAILGATE SPREADER

<b>Spinner, Chute &amp; Deflector</b>							
<b>Item</b>	<b>Part</b>	<b>Qty</b>	<b>Description</b>	<b>Item</b>	<b>Part</b>	<b>Qty</b>	<b>Description</b>
1	75901	1	Motor Kit	4	75685	1	Spinner Kit
2	75686	1	Spinner Transmission Kit	5	75665	1	Deflector Kit
3	75691	1	Material Chute Kit				
<b>Item 1</b>				<b>75901 Motor Kit</b>			
6		2	#10-32 x 5/8 Hex Cap Screw Serrated Flange w/Patch	7		1	Motor 12V DC, 3 x 3.8
<b>Item 2</b>				<b>75686 Spinner Transmission Kit</b>			
8		2	1/4-20 x 3/4 Hex Cap Screw Serrated Flange SS	9		1	Transmission 8:1 Worm Gear
				10	79332	1	Motor Drive Coupler
<b>Item 3</b>				<b>75691 Material Chute Kit</b>			
11		1	Material Chute	12		2	3/16 x 0.354 Rivet – Black Aluminum
<b>Item 4</b>				<b>75685 Spinner Kit</b>			
13		1	Spinner 12" Steel	14		1	5/16-18 x 1/2 Hex Cap Screw
<b>Item 5</b>				<b>75665 Deflector Kit</b>			
15		2	3/8-16 x 1 Hex Cap Screw Serrated Flange Type F	16		1	Deflector
SS = Stainless Steel							

# PRO-FLO™ 900 LOW-PROFILE TAILGATE SPREADER

## ELECTRICAL COMPONENTS





## PRO-FLO™ 900 LOW-PROFILE TAILGATE SPREADER

Electrical Components							
Item	Part	Qty	Description	Item	Part	Qty	Description
1	52450	1	Spreader Control Kit	6	78399	1	Spinner Motor Harness Rev. Pin-Out
2	52375	1	Spreader Module, 5-Post	7	69893	1	10-Pin Connector w/4 Wires
3	72092	1	Spreader Harness*	8	78382	1	Vibrator Harness Assembly
4	72090	1	Vehicle Harness*	9	78397	1	Auger Motor Harness
5	69902	1	Vehicle Control Harness				
<b>Item 1</b>				<b>52450 Spreader Control Kit</b>			
10	52452	1	Spreader Control	14		2	1/4-20 x 1/2 Pan Head Machine Screw SS – Black
11	52345	1	Control Bracket Kit	15		2	1/4 Shoulder Washer SS – Black
12		3	#10 x 3/8 Pan Head Tapping Screw SS	16		2	1/4 Lock Washer SS
13		4	#8 x 3/8 Pan Head Machine Screw	17		2	1/4-20 Hex Nut G5 – Black
SS = Stainless Steel				G = Grade			

\* For spreaders with 8-pin harnesses, order the 52348 harness kit (contains both spreader and vehicle harnesses).

# PRO-FLO™ 900 LOW-PROFILE TAILGATE SPREADER

---



Western Products  
PO Box 245038  
Milwaukee, WI 53224-9538  
[www.westernplows.com](http://www.westernplows.com)

 A DIVISION OF DOUGLAS DYNAMICS, LLC

Copyright © 2019 Douglas Dynamics, LLC. All rights reserved. This material may not be reproduced or copied, in whole or in part, in any printed, mechanical, electronic, film, or other distribution and storage media, without the written consent of Western Products. Authorization to photocopy items for internal or personal use by Western Products outlets or spreader owner is granted.

Western Products reserves the right under its product improvement policy to change construction or design details and furnish equipment when so altered without reference to illustrations or specifications used. Western Products or the vehicle manufacturer may require or recommend optional equipment for spreaders. Do not exceed vehicle ratings with a spreader. Western Products offers a limited warranty for all spreaders and accessories. See separately printed page for this important information. The following are registered (®) or unregistered (™) trademarks of Douglas Dynamics, LLC: PRO-FLO™ 900, WESTERN®.

**Printed in U.S.A.**