



WESTERN PRODUCTS  
P.O. BOX 245038  
MILWAUKEE, WI 53224-9538



 A DIVISION OF DOUGLAS DYNAMICS, L.L.C.

**LSX PARTS LIST**  
**Lit. No. 63552, Rev. 03**  
**November 3, 2005**

# **LSX Blade**

**Blade No. 63472**

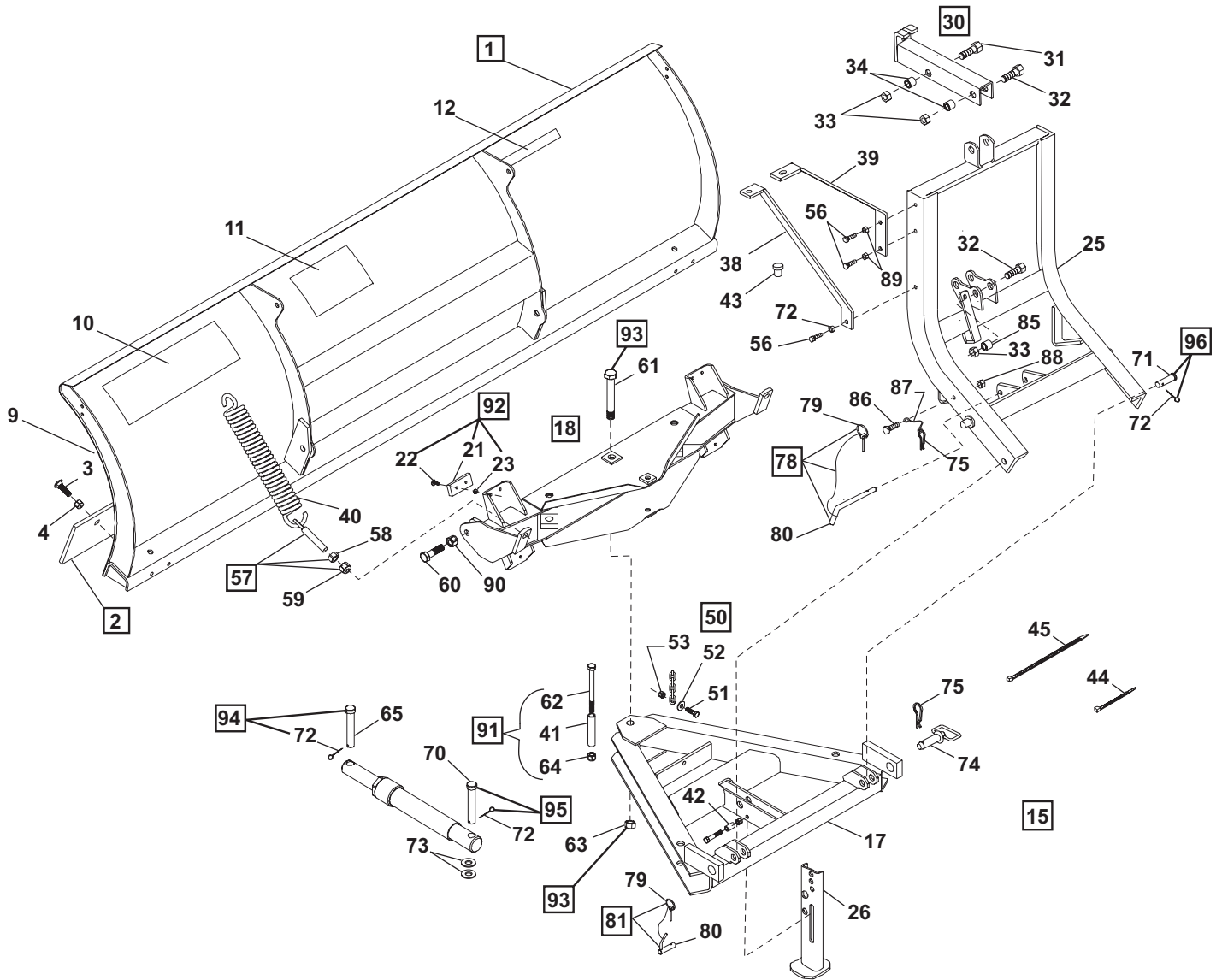
**A, Q, & L Box No. 63470**

**Hydraulics Box No. 56545**

**Headlamp Kit No. 61540 or 61550**

# LSX Blade Assembly - Blade No. 63472

## PARTS DIAGRAM



# LSX Blade Assembly - Blade No. 63472

## PARTS LIST

| ITEM | PART NO.   | QTY. | DESCRIPTION                      |
|------|------------|------|----------------------------------|
| 1    | 63472      | 1    | BLADE ASSY - 7'2" LSX            |
| 2    | . 63541    | 1    | CUTTING EDGE ASSY 7'-2"          |
| 3    | . . 90238  | 8    | 1/2-13 X 1-3/4 CB G8 BPO         |
| 4    | . . 91335  | 8    | 1/2-13 PT HX LK NUT NYIS ZYC     |
| 9    | 59756      | 1    | LABEL - IDENTITY WESTERN LARGE   |
| 10   | 61740      | 1    | LABEL - INFORMATION              |
| 11   | 59900      | 1    | LABEL - INFORMATION (WARNING)    |
| 12   | 28404      | 1    | LABEL - IDENTITY ULTRAFINISH™    |
| 15   | 63470      | 1    | A, Q, & L ASSY U LSX             |
| 17   | . 63546    | 1    | A-FRAME                          |
| 18   | . 63547    | 1    | QUADRANT LSX SERVICE KIT         |
| 92   | . . 63976  | 4    | BUMPER KIT                       |
| 25   | . 61903    | 1    | LIFT FRAME U S                   |
| 26   | . 61353    | 1    | STAND                            |
| 30   | . 49277    | 1    | LIFT CHANNEL KIT                 |
| 31   | . . 63207  | 1    | 3/4-10 X 3-1/4 HX CS G5 ZYC SPL  |
| 32   | . . 63208  | 1    | 3/4-10 X 3-3/4 HX CS G5 ZYC SPL  |
| 32   | . 63208    | 1    | 3/4-10 X 3-3/4 HX CS G5 ZYC SPL  |
| 33   | . . 91339  | 2    | 3/4-10 PT HX JAM LK NUT NYIS ZYC |
| 33   | . 91339    | 1    | 3/4-10 PT HX JAM LK NUT NYIS ZYC |
| 34   | . . 63211  | 2    | SPACER .758 ID X 1.0 OD X .5 LG  |
| 38   | . 63584    | 2    | LIGHT BRACKET - BOTTOM           |
| 39   | . 63583    | 2    | LIGHT BRACKET - TOP              |
| 40   | . 23039    | 2    | TRIP SPRING                      |
| 41   | . 63553    | 1    | BUSHING - STOP                   |
| 42   | . 61487    | 1    | SPACER .56 OD X .39 ID X .965 LG |
| 43   | . 61482    | 2    | VINYL CAP 1/2 X 1/2              |
| 44   | . 59223    | 4    | CABLE TIE                        |
| 45   | . 61536    | 3    | CABLE TIE - LONG                 |
| 50   | . 49033    | 1    | REPLACEMENT CHAIN ASSY           |
| 51   | . . 90040  | 1    | 3/8-16 X 1-1/4 HX CS G5 ZYC      |
| 52   | . . 91137  | 1    | 3/8 PLAIN WASHER TY A SAE ZP     |
| 53   | . . 91333  | 1    | 3/8-16 PT HX LK NUT NYIS ZYC     |
| 56   | . 90040    | 6    | 3/8-16 X 1-1/4 HX CS G5 ZYC      |
| 57   | . 90490K   | 2    | EYEBOLT KIT                      |
| 58   | . . 91416  | 1    | 5/8-11 HX NUT ZYC                |
| 59   | . . 91337  | 1    | 5/8-11 PT HX LK NUT NYIS ZYC     |
| 60   | . 90131    | 2    | 5/8-11 X 2-1/2 HX CS G5 ZP       |
| 61   | . 63558    | 1    | 3/4-10 X 5-1/4 HX CS G5 ZYC SPL  |
| 62   | . 90111    | 1    | 1/2-13 X 5-1/2 HX CS G5 ZP       |
| 63   | . 91339    | 1    | 3/4-10 PT HX JAM LK NUT NYIS ZYC |
| 64   | . 91335    | 1    | 1/2-13 PT HX LK NUT NYIS ZYC     |
| 65   | . 63557    | 2    | CLEVIS PIN 3/4" X 4-3/8" HT ZYC  |
| 70   | . 93062    | 2    | CLEVIS PIN 3/4" X 3-1/4" HT ZYC  |
| 71   | . 93040    | 2    | PIN CLEVIS 5/8 X 2.25 STEEL ZYC  |
| 72   | . 91911    | 6    | 5/32 X 1-1/2 COTTER PIN ZYC      |
| 73   | . 91147    | 4    | PLAIN WASHER TY A SAE ZYC        |
| 74   | . 93028K   | 2    | HITCH PIN 1" X 3-1/2"            |
| 75   | . 91965K   | 4    | HAIRPIN COTTER 5/32"             |
| 78   | . 63585    | 1    | STAND PIN ASSY                   |
| 79   | . . 93042K | 1    | 3/16 LINCH PIN ZYC               |
| 80   | . . 93033K | 1    | PIN 1/2 X 5.5                    |
| 82   | . 63586    | 1    | LOCK PIN ASSY                    |
| 79   | . . 93042K | 1    | 3/16 LINCH PIN ZYC               |
| 83   | . . 93034K | 1    | STAND LOCK PIN 5/8 X 2.3         |
| 85   | . 63212    | 1    | SPACER .758 ID X 1.0 OD X .69 LG |
| 86   | . 63571    | 2    | 1/4-20 X 3/4 WLF SCREW ZYC       |
| 87   | . 63563    | 2    | LANYARD .05 X 6                  |
| 88   | . 63572    | 2    | 1/4-20 WLF NUT ZYC               |
| 89   | . 91333    | 6    | 3/8-16 PT HX LK NUT NYIS ZYC     |
| 90   | . 91337    | 2    | 5/8-11 PT HX LK NUT NYIS ZYC     |

## SERVICE PARTS KITS

| ITEM | PART NO. | QTY. | DESCRIPTION                      |
|------|----------|------|----------------------------------|
| 91   | 63542    | 1    | STOP BUSHING KIT                 |
| 41   | . 63553  | 1    | BUSHING - STOP                   |
| 62   | . 90111  | 1    | 1/2-13 X 5-1/2 HX CS G5 ZP       |
| 64   | . 91335  | 1    | 1/2-13 PT HX LK NUT NYIS ZYC     |
| 92   | 63976    | 4    | BUMPER KIT                       |
| 21   | .        | 1    | BUMPER                           |
| 22   | .        | 2    | 1/4-20 X 3/4 SB FLG HD CS BPO    |
| 23   | .        | 2    | 1/4-20 PT HX JAM LK NUT ZP/ZYC   |
| 93   | 63544    | 1    | PIVOT BOLT KIT                   |
| 61   | . 63558  | 1    | 3/4-10 X 5-1/4 HX CS G5 ZYC SPL  |
| 63   | . 91339  | 1    | 3/4-10 PT HX JAM LK NUT NYIS ZYC |
| 94   | 63545    | 2    | CLEVIS PIN KIT                   |
| 65   | . 63557  | 1    | CLEVIS PIN 3/4" X 4-3/8" HT ZYC  |
| 72   | . 91911  | 1    | 5/32 X 1-1/2 COTTER PIN ZYC      |
| 95   | 93062K   | 2    | CLEVIS PIN KIT                   |
| 70   | . 93062  | 1    | CLEVIS PIN 3/4" X 3-1/4" HT ZYC  |
| 72   | . 91911  | 1    | 5/32 X 1-1/2 COTTER PIN ZYC      |
| 96   | 93040K   | 2    | CLEVIS PIN KIT                   |
| 71   | . 93040  | 1    | PIN CLEVIS 5/8 X 2.25 STEEL ZYC  |
| 72   | . 91911  | 1    | 5/32 X 1-1/2 COTTER PIN ZYC      |
| *    | 28547    | 1    | BLADE LABEL KIT UniMount         |

\* Not Shown

Indented parts are included in the assembly under which they are listed. Quantities shown are included with the assembly.

### Abbreviations

|           |                                 |
|-----------|---------------------------------|
| A, Q, & L | A-Frame, Quadrant & Lift Frame  |
| ASSY      | Assembly                        |
| BPO       | Black Phosphate & Oil           |
| CB        | Carriage Bolt                   |
| CS        | Cap Screw                       |
| FLG       | Flange                          |
| G         | Grade                           |
| HD        | Heavy Duty                      |
| HT        | Heat Treated                    |
| HX        | Hex                             |
| ID        | Inside Diameter                 |
| LG        | Long                            |
| LK        | Lock                            |
| NYIS      | Nylon Insert                    |
| OD        | Outside Diameter                |
| PT        | Prevailing Torque               |
| S         | Standard Plow                   |
| SAE       | Society of Automotive Engineers |
| SB        | Slow Blow (Fuse)                |
| SPL       | Special                         |
| TY        | Type                            |
| U         | UniMount® System                |
| WLF       | Whiz-Lock Flange                |
| ZP        | Zinc Plate                      |
| ZYC       | Zinc Yellow Chromate            |

Parts listed above may be found in one of the following:

|       |   |                         |
|-------|---|-------------------------|
| 63467 | 1 | PARTS BAG ASSY (63470)  |
| 61579 | 1 | BOLT BAG (A,Q&L COMMON) |



WESTERN PRODUCTS  
P.O. BOX 245038  
MILWAUKEE, WI 53224-9538

 A DIVISION OF DOUGLAS DYNAMICS, L.L.C.

Copyright© 2005 Douglas Dynamics, L.L.C. All rights reserved. This material may not be reproduced or copied, in whole or in part, in any printed, mechanical, electronic, film or other distribution and storage media, without the written consent of Western Products. Authorization to photocopy items for internal or personal use by Western Products outlets or snowplow owner is granted.

Western Products reserves the right under its product improvement policy to change construction or design details and furnish equipment when so altered without reference to illustrations or specifications used. Western Products and the vehicle manufacturer may require and/or recommend optional equipment for snow removal. Do not exceed vehicle ratings with a snowplow. Western Products offers a limited warranty for all snowplows and accessories. See separately printed page for this important information. The following are registered (®) or unregistered (™) trademarks of Douglas Dynamics, L.L.C: ULTRAFINISH™, UniMount® and WESTERN®.