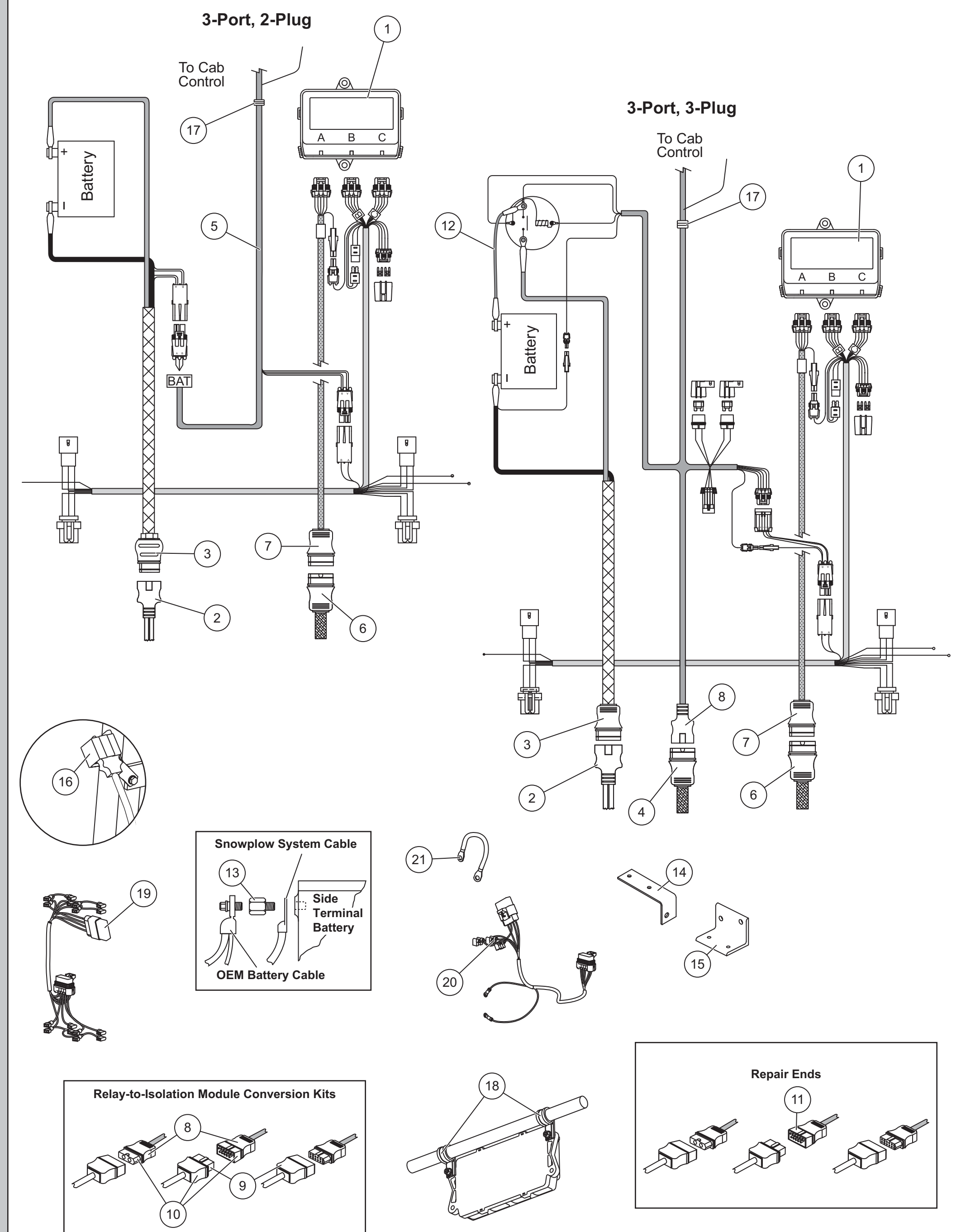


ISOLATION MODULE ELECTRICAL COMPONENTS



Item	Part	Description	Item	Part	Description
1	29070-1	Isolation Module, 3-Port, Light Green Label	10	26431	Hydraulic Box Conversion Kit, 3-Pin (straight blades)
2	29760-2	Isolation Module, 3-Port, Blue Label	11	28052	Hydraulic Box Conversion Kit, 7-Pin (V-plows)
3	21294	Snowplow Battery Cable	12	27063W	Vehicle Control Harness Repair End, 3-Pin (SB)
4	42015	Snowplow Battery Cable	13	27067W	Vehicle Control Harness Repair End, 7-Pin (V-plows)
5	61169	Vehicle Battery Cable (central hydraulics)	14	22511	22" Battery Cable
6	83411	Vehicle Battery Cable (all other systems)	15	20681	50" Battery Cable
7	72527	Vehicle Battery Cable	16	21563	90" Battery Cable
8	26359	Snowplow Control Harness, 3-Pin (straight blades)	17	22381W	Battery Adapters, Side Terminal
9	26358	Snowplow Control Harness, 7-Pin (V-plows)	18	64128	Motor Relay Bracket
	28587	Vehicle Control Harness	19	20679	Motor Relay Mounting Bracket
	26347	Snowplow Lighting Harness, 11-Pin (64100 headlamps)	20	61246	Cable Boot
	28213W	Harness Service Kit (NIGHTHAWK™ headlamps)	21	66130	Rubber Grommet
	26357	Vehicle Lighting Harness, 11-Pin	22	26639	Cable Clamp, 3/4 dia x 1/2
	26498	Vehicle Control Harness (central hydraulics)	23	28583	Harness Plow Control 8-Solenoid
	26345	Vehicle Control Harness, 3-Pin (straight blades)	24	28581-1	Harness Plow Control 3-Solenoid
	26346	Vehicle Control Harness, 7-Pin (MVP® snowplows)	25	29071	Cable Assembly, 8"
	28055	Vehicle-Side Conversion Kit, 3-Pin (straight blades)	26	61548K	Plug Cover
	28053	Snowplow-Side Conversion Kit, 3-Pin (straight blades)	27	90729	200A Fuse
	28054	Snowplow-Side Conversion Kit, 7-Pin (V-plows)			

ns = not shown

Copyright © 2020 Douglas Dynamics, LLC. All rights reserved. This material may not be reproduced or copied, in whole or in part, in any printed, mechanical, electronic, film or other distribution and storage media, without the written consent of Western Products. Authorization to photocopy items for internal or personal use by Western Products outlets or snowplow owner is granted.

Western Products reserves the right under its product improvement policy to change construction or design details and furnish equipment when so altered without reference to illustrations or specifications used. Western Products or the vehicle manufacturer may require or recommend optional equipment for snow removal. Do not exceed vehicle ratings with a snowplow. Western Products offers a limited warranty for all snowplows and accessories. See separately printed page for this important information. The following are registered (®) or unregistered (™) trademarks of Douglas Dynamics, LLC: MVP®, MVP PLUS™, NIGHTHAWK™, WESTERN™.

Lit. No. 29012, Rev. 05 Printed in U.S.A. December 15, 2020



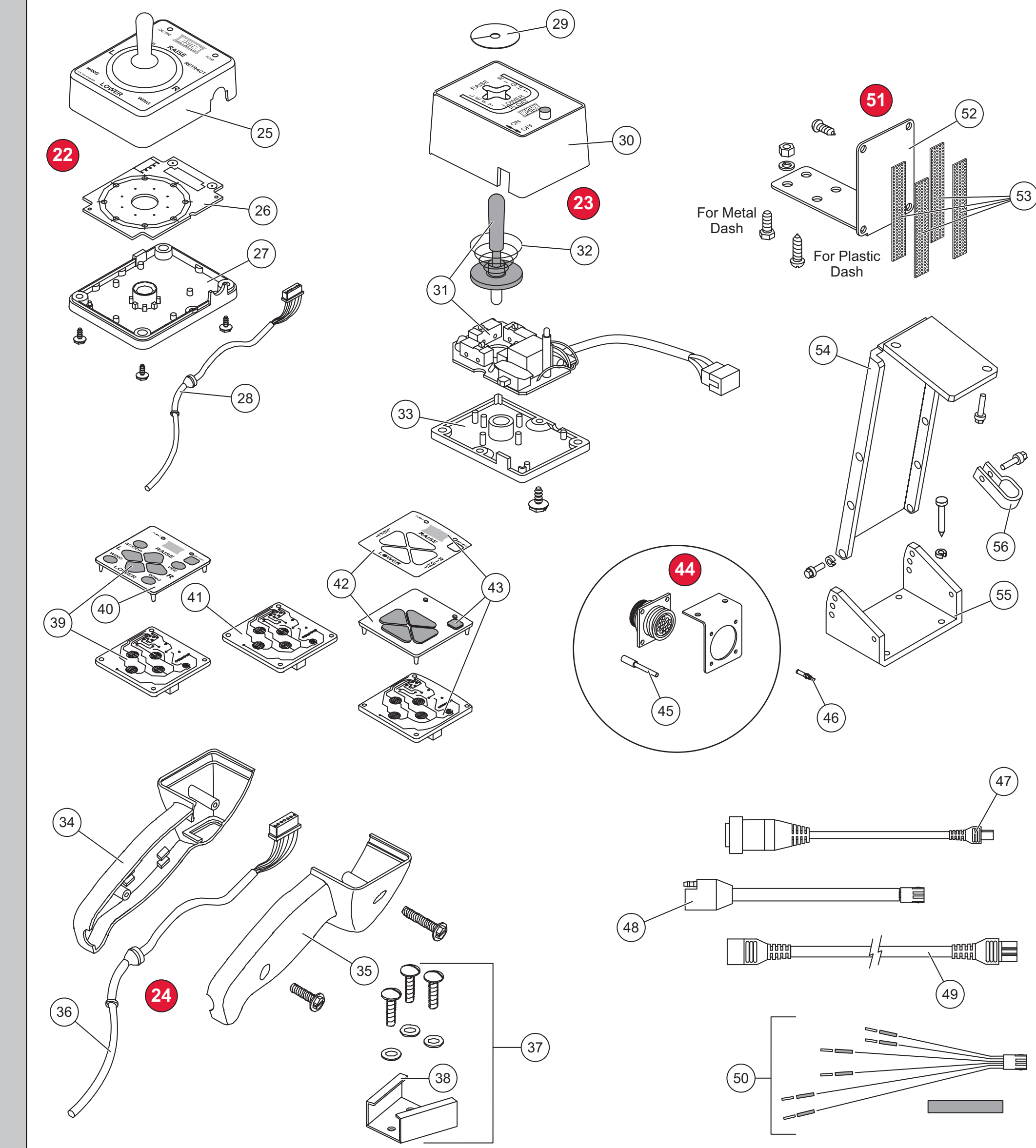
Western Products
P.O. Box 245038, Milwaukee, WI 53224-9538
www.westernplows.com



ELECTRICAL PARTS for SNOWPLOWS

INTERACTIVE PARTS POSTER AVAILABLE AT WWW.WESTERNPLOWS.COM

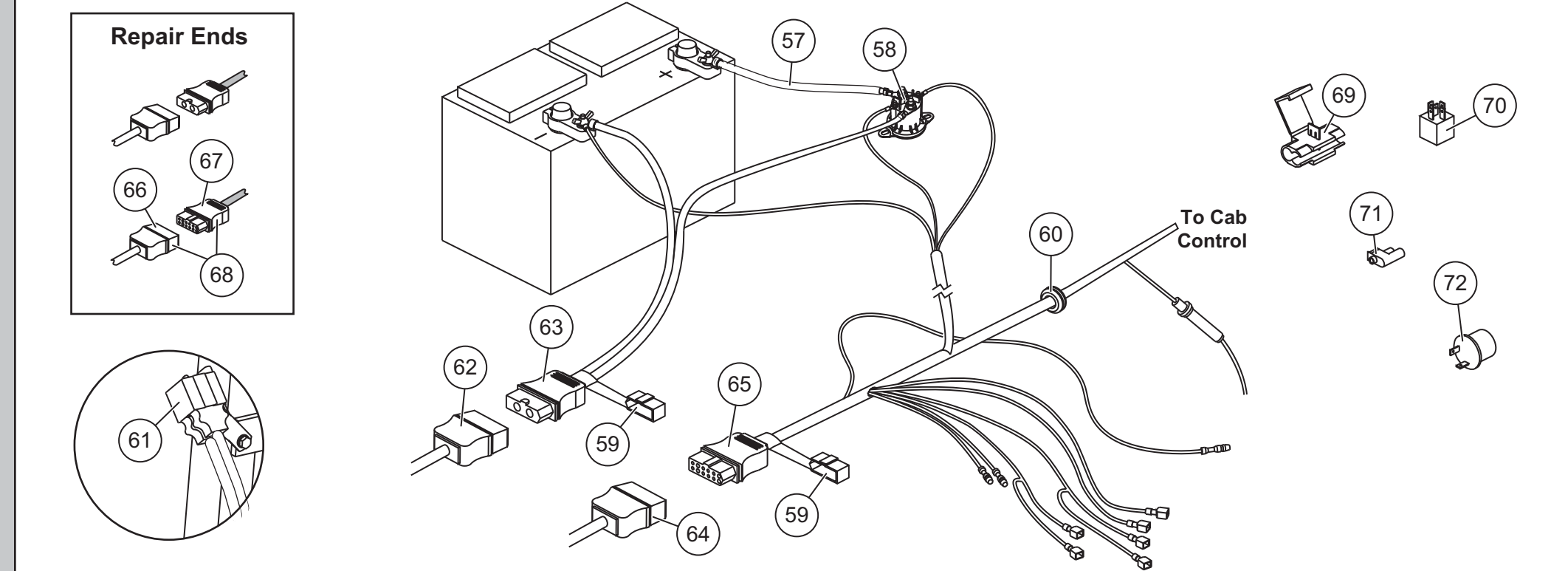
CONTROLS



Item	Part	Description	Item	Part	Description
22	96369	MVP® Joystick Control	37	64312	Parts Bag - Control Bracket
23	56369	Solenoid Joystick Control - Style 2 (straight blades)	38	56436	Control Bracket
24	56462	CabCommand Hand-Held Control (straight blades)	39	96460	PC Board & Keypad, 9-Button (V-plow)
	**	MVP CabCommand Hand-Held Control, 6-Button	40	96461	Keypad Assembly, 9-Button (V-plows)
	96462	MVP CabCommand Hand-Held Control, 9-Button	41	69280	PC Board, 6-Button (MVP snowplows)
25	96368	Cover Assembly w/Actuator, Spring & Label	42	49472	PC Board, 9-Button (V-plow)
26	96353	PC Board (V-plow)	43	96442	Keypad w/Label & Split Lights (straight blades)
27	96366	Bottom Housing	44	56472	PC Board w/Keypad & Label (straight blades)
28	96365	Connector Harness, 10-Pin (V-plow)	45	56496	V-Plow Connector Assembly
29	56283	Shield	46	66767	Pin Removal Tool
30	49286	Body w/Label & Lens	47	22123	Signal Contact (pkg of 10)
31	49283	PC Board & Lever Assembly	48	66760K	V-Plow to Straight Blade Adapter
32	55923	Conical Spring	49	62392	SAE to Molex Adapter
33	56199	Base	50	61845	4' Control Harness Extension (Molex)
34	96593	Control Body - Left	51	27070	Molex Repair End
35	96593	Control Body - Right	52	96363	Parts Bag - Dash Bracket
36	96437	Connector Harness (straight blades)	53	7718	Control Bracket
	69280	Connector Harness, 6-Button (MVP snowplows)	54	49305K	PRO-GRIP Mount Kit
	96454	Connector Harness, 9-Button (V-plows)	55	56308	Control Bracket
	96464	Connector Harness, 9-Button (V-plows)	56	56080	Dash Bracket
			57	55381	Cable Clamp

** Can be used for V-plows if modified.

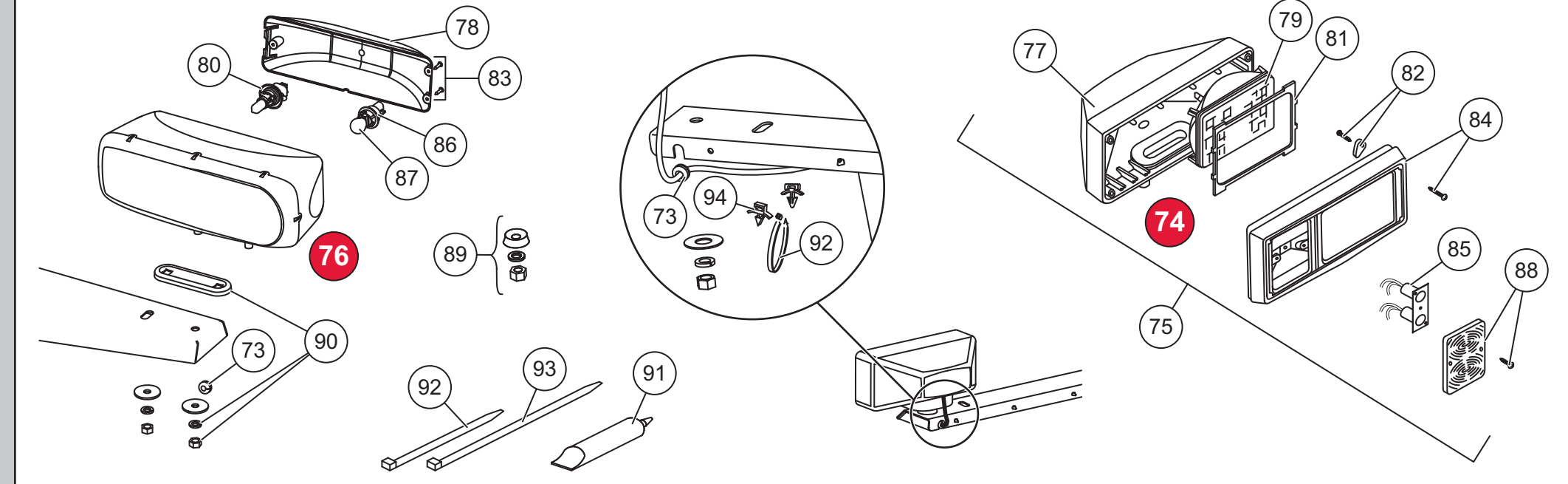
RELAY SYSTEM ELECTRICAL COMPONENTS



Item	Part	Description	Item	Part	Description
57	22511	Battery Cable, 22"	65	62502	Vehicle Harness, 7-Pin (central hydraulics)
	20681	Battery Cable, 50"	66	61437	Vehicle Harness, 9-Pin (straight blade)
	21563	Battery Cable, 90"	67	62512	Vehicle Harness, 9-Pin Long (straight blade)
58	56131K-2	Motor Relay	68	61557	Vehicle Harness, 12-Pin (straight blade)
59	61548K	Plug Cover	69	62522	Vehicle Harness, 12-Pin Long (straight blade)
60	66130	Rubber Grommet	70	66610	Vehicle Harness, 12-Pin (V-plow)
61	61246	Cable Boot	71	49317	Snowplow Harness Repair End, 9-Pin (straight blade)
62	66624	Snowplow Battery Cable (V-plow)	72	49308	Snowplow Harness Repair End, 12-Pin (SB & V-plow*)
63	21294	Snowplow Battery Cable (all other systems)		49310	Vehicle Harness Repair End, 12-Pin (SB & V-plow)
	66623	Vehicle Battery Cable (V-plow)		49366K	Repair End Kit, 9-Pin (straight blade)
	61169	Vehicle Battery Cable (all other systems)		49367K	Repair End Kit, 12-Pin (straight blade & V-plow*)
64	62503	Snowplow Harness, 7-Pin (central hydraulics)	69	59114	Self-Stripping Wire Connector
	61438	Snowplow Harness, 9-Pin (straight blades)	70	61535K	SPDT Relay
	61558	Snowplow Harness, 12-Pin (straight blades)	71	59224	Bullet Receptacle Connector
	66611-1	Snowplow Harness, 12-Pin (V-plow)	72	60109	Flasher HD

* Can be used for V-plows if modified.

HEADLAMPS



Item	Part	Description	Item	Part	Description
73	66130	Rubber Grommet	83	28808-1	Cover Screws Service Kit
74	64100	Headlamp Kit, 11-Pin	84	49203	Bezel w/Fasteners (DS or PS)
75	61543	Headlamp Pair w/o Snowplow Lighting Harness	85	49362	Park/Turn Socket Set
	61541	Headlamp - DS	86	28805	Park/Turn Socket Service Kit
	61542	Headlamp - PS	87	49367	Park/Turn Bulb (trade no. 4157NAK)
76	28801-1	Headlamp Service Kit - DS w/o Harness	88	49202	Park/Turn Lens w/Fasteners
	28802-1	Headlamp Service Kit - PS w/o Harness (not shown)	89	49151	Swivel Hardware
77	49298	Headlamp Housing (DS or PS)	90	28804	Mounting Hardware Kit
78	28803-1	Rear Cover Kit	91	56099	Dielectric Grease Tube, 0.25 oz
79	49297	Replacement Sealed Beam 2E1	92	49326	Dielectric Grease Tube, 2 oz
80	28806	H13 Headlamp Bulb Service Kit	93	59223	Cable Tie
81	49210	Headlamp Gaskets (1 pair)	94	61536	Cable Tie - Long
82	49201	Retaining Fingers w/Fasteners (4 each)		56595	Cable Tie Anchor

HARNESSES & ADAPTERS

Headlamp Type	Part		
	Isolation Module & Adapter Kits	Short Plug-In Harness	Long Plug-In Harness
HB-3/H11	28027-3	-	-
HB-3/HB-4	-	28032	-
	27480-1	-	-
	28027-3	-	-
2E	27968-1	-	-
HB-1 or HB-5	28860-1	-	-
1A/2A	26641	-	-
LF/UF		Relay system only.	