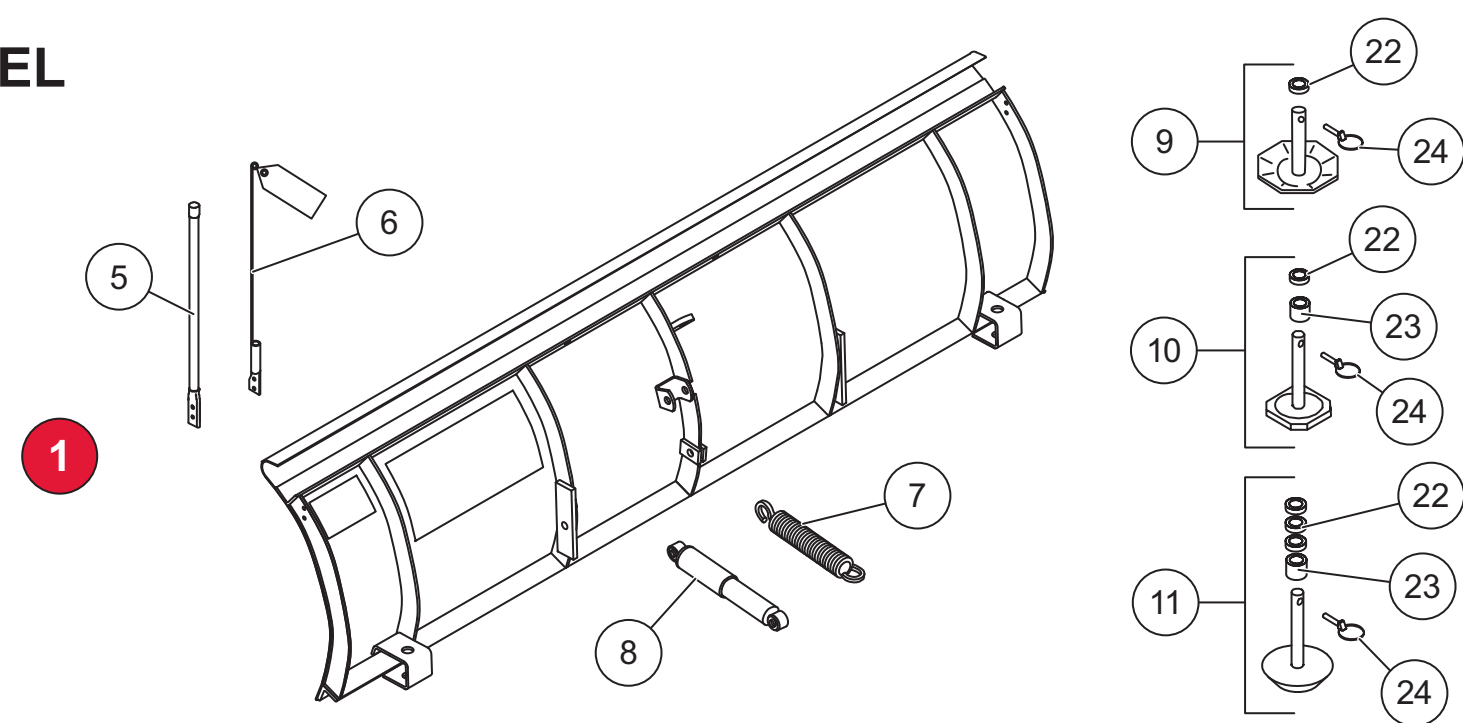
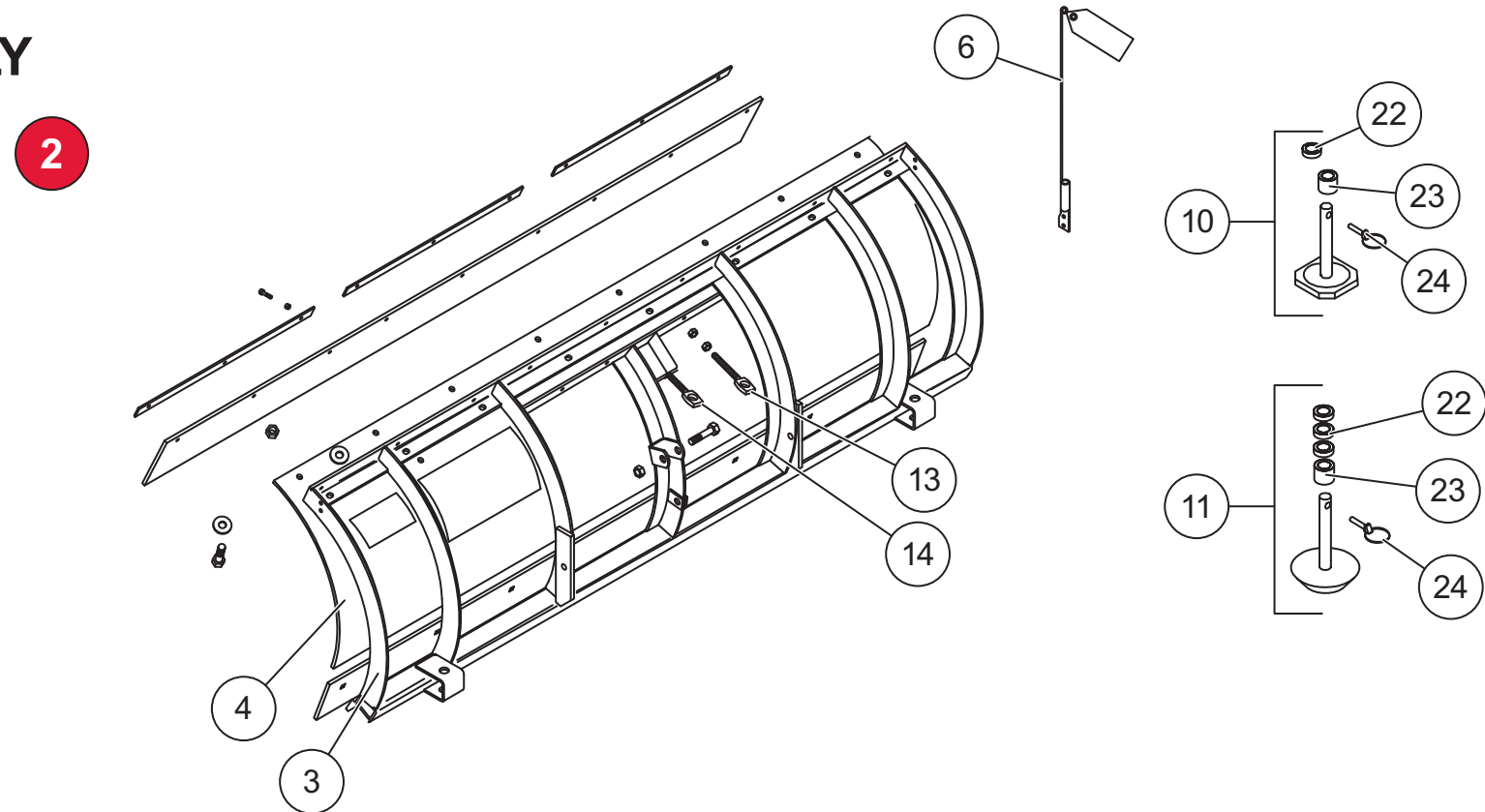


BLADE COMPONENTS

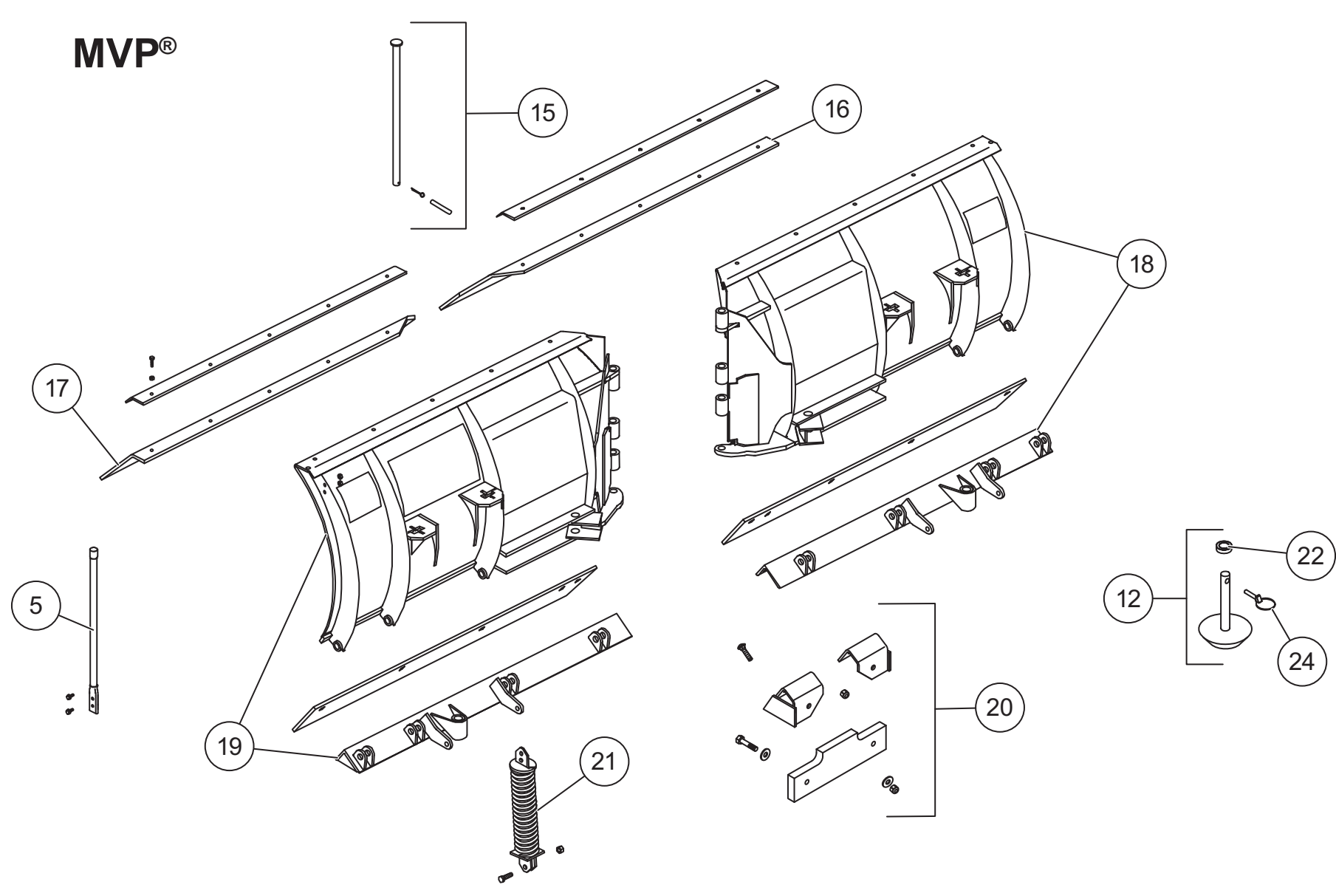
STEEL



POLY



MVP®

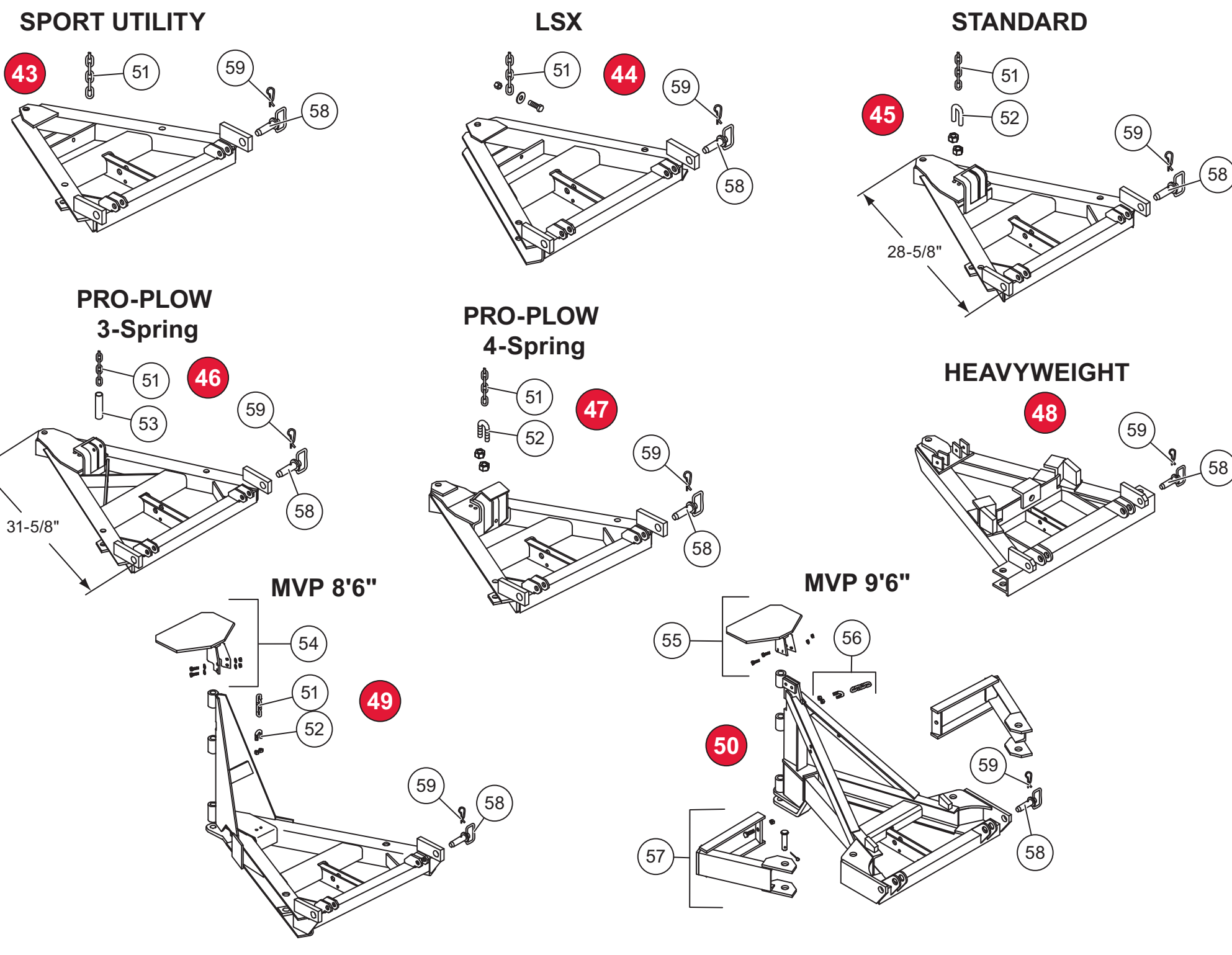
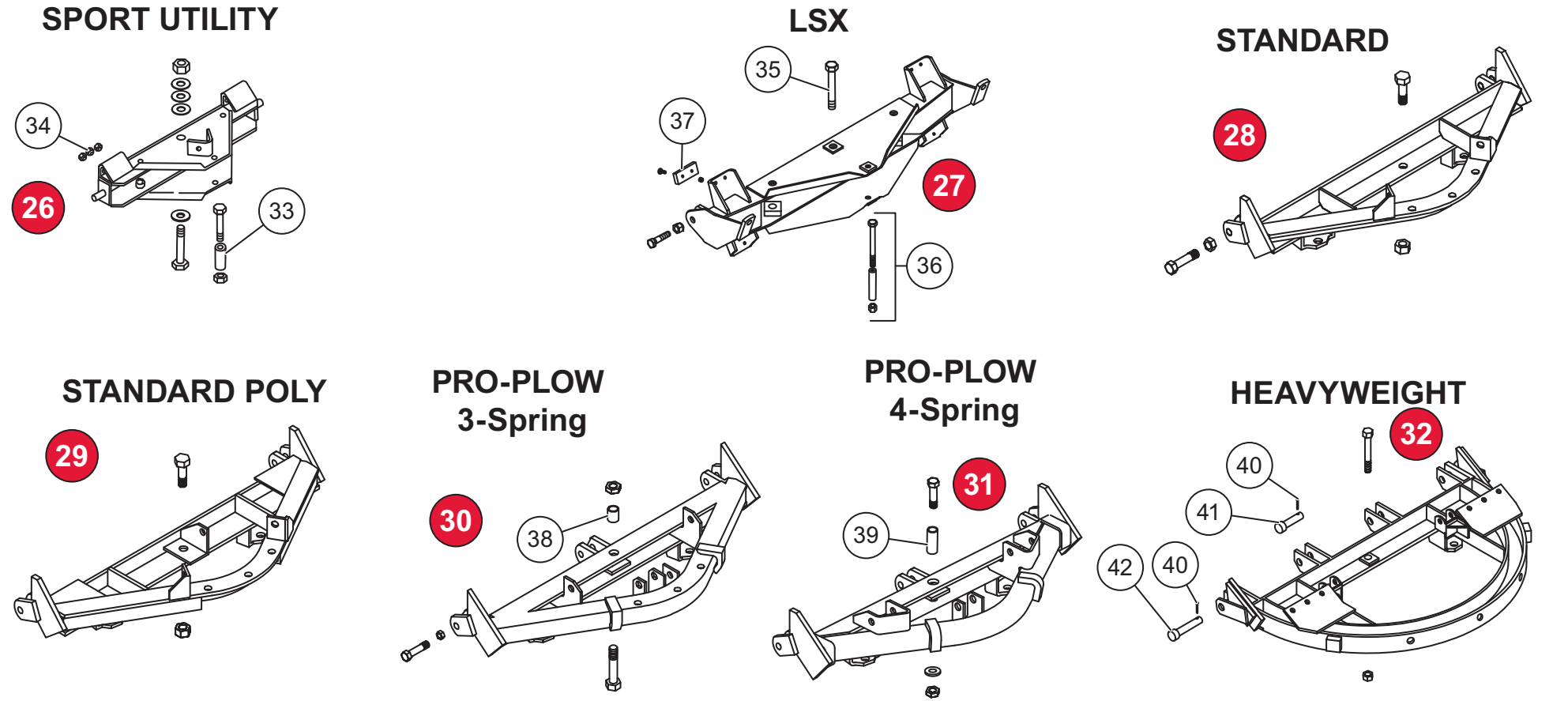


Item	Part	Description	Item	Part	Description
1	-	6'6" Sport Utility Blade Assembly	8	60338	Shock Absorber
	-	7'2" LSX Blade Assembly	9	63450	Disc Shoe Assembly (LSX)
	-	6'6" Standard Blade Assembly		49266	Disc Shoe Assembly (sport utility)
	-	7" Standard Blade Assembly	10	49067	Disc Shoe Assembly (standard blade)
	-	7'6" Standard Blade Assembly	11	49071	Disc Shoe Assembly (PRO-PLOW & HEAVYWEIGHT)
60381		7'6" PRO-PLOW® Blade Assembly	12	62637	Disc Shoe Assembly (8'6" MVP)
60390		8" PRO-PLOW Blade Assembly		26523	Disc Shoe Assembly (9'6" MVP)
60308		8'6" PRO-PLOW Blade Assembly	13	90493K	5/8-11 x 6 Eyebolt (long)
	-	9" PRO-PLOW Blade Assembly	14	66421	5/8-11 x 4 Eyebolt
	-	9" HEAVYWEIGHT Blade Assembly	15	62638	Pivot Pin Kit
	-	10" HEAVYWEIGHT Blade Assembly	16	62613	Rubber Deflector (8'6" MVP)
2	-	7'6" Poly Standard Blade Assembly w/Deflector		26586	Rubber Deflector (9'6" MVP)
62400		7'6" POLY PRO-PLOW® Blade Assembly w/Deflector	17	62614	Rubber Deflector w/Logo (8'6" MVP)
62450		8" POLY PRO-PLOW Blade Assembly w/Deflector		63664	Rubber Deflector w/Logo (9'6" MVP)
3	-	7'6" Poly Standard Blade Frame	18	-	Blade Half Replacement PS (8'6" MVP)
62350		7'6" POLY PRO-PLOW Blade Frame		-	Blade Half Replacement PS (9'6" MVP)
62415		8" POLY PRO-PLOW Blade Frame	19	-	Blade Half Replacement DS (8'6" MVP)
4	-	7'6" Poly Standard Moldboard		-	Blade Half Replacement DS (9'6" MVP)
49322		7'6" POLY PRO-PLOW Moldboard	20	62636	MVP Center Flap Kit
49327		8" POLY PRO-PLOW Moldboard	21	21452	Removable Spring Assembly
5	62595	24" Commercial Blade Guides (MVP)	22	91192	Round Flat Washer Special
	62590	36" Commercial Blade Guides (HEAVYWEIGHT)	23	60045	Spacer
6	59700	Blade Guide Assembly (all other blades)	24	93010K	7/16 x 1-3/4 Linchpin
7	23039	Trip Spring			



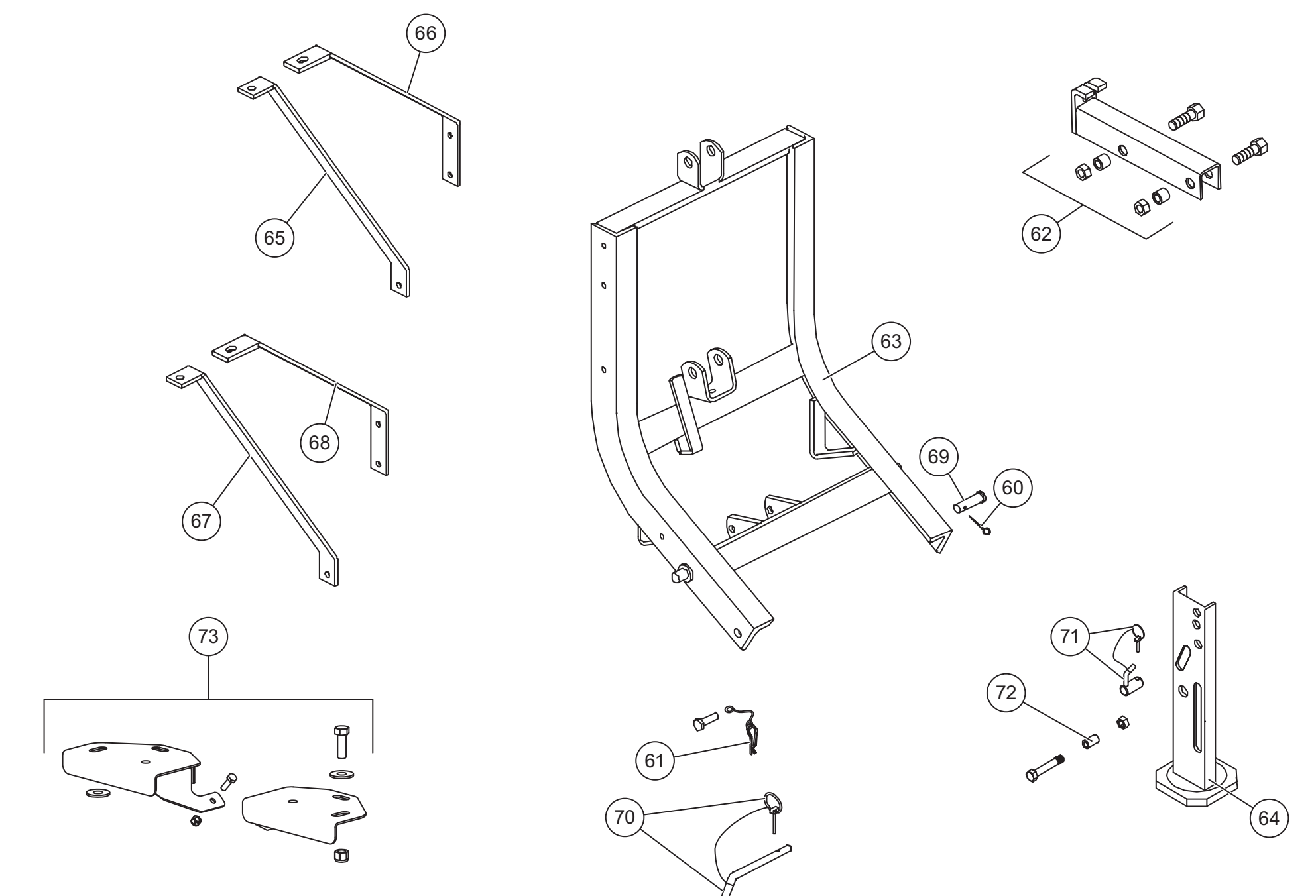
INTERACTIVE PARTS POSTER AVAILABLE AT WWW.WESTERNPLOWS.COM

QUADRANTS & A-FRAMES / T-FRAMES



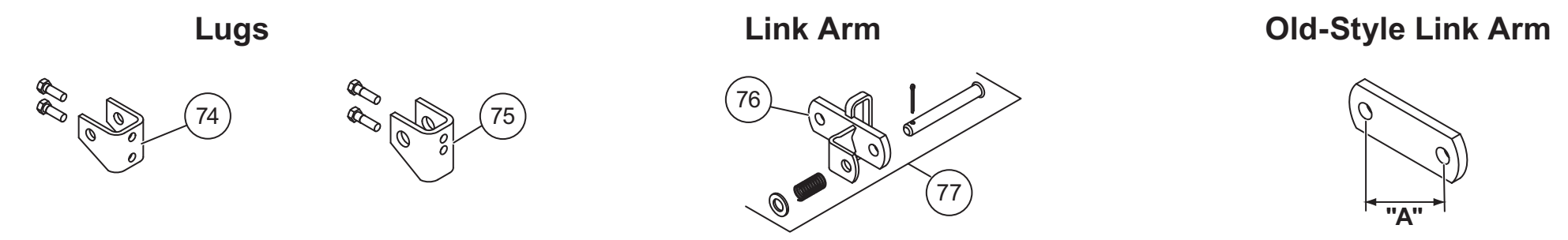
Item	Part	Description	Item	Part	Description
26	61270	Quadrant w/Fasteners (sport utility)	43	61896	A-Frame w/Fasteners (sport utility)
27	63547	Quadrant w/ Fasteners (LSX)	44	63546	A-Frame w/Fasteners (LSX)
28	60036	Quadrant (standard blade)	45	61891	A-Frame (standard blade)
29	62101	Quadrant (standard poly blade)	46	61345	3-Spring A-Frame (PRO-PLOW)
30	60328	3-Spring Quadrant w/Fasteners (PRO-PLOW)	47	63581	4-Spring A-Frame (PRO-PLOW)
31	63582	4-Spring Quadrant w/Fasteners (PRO-PLOW)	48	62170	A-Frame (HEAVYWEIGHT)
32	62190	Quadrant (HEAVYWEIGHT)	49	62601	T-Frame (8'6" MVP)
33	63215	Bushing Stop	50	63657	T-Frame (9'6" MVP)
34	-	Bumper	51	90453	Replacement Chain Assembly
35	63544	Pivot Bolt Kit (LSX)	52	95071	3/8-16 x 1-5/8 U-Bolt
36	63542	Stop Bushing Kit	53	-	Plastic Tube
37	63976	Bumper Kit	54	62635	Center Deflector Assembly
38	62444	Tube Spacer	55	63663	Center Deflector
39	63492	Tube Spacer	56	49263	Replacement Chain Assembly
40	91911K	5/32 x 1-1/2 Cotter Pin	57	-	Blade Stop Kit
41	93077K	1 x 4 Rivet	58	93028K	1 x 3-1/2 Hitch Pin
42	93080K	1 x 5 Rivet	59	91965K-1	5/32 Hairpin Cotter

LIFT FRAME ASSEMBLIES



Item	Part	Description	Item	Part	Description
60	91911K	5/32 x 1-1/2 Cotter Pin	65	63533	Light Bracket (short)
61	91965K-1	5/32 Hairpin Cotter	66	63532	Light Bracket (short)
62	62643	Lift Arm Assembly (8'6" MVP)	67	61553	Light Bracket (long)
	62154	Lift Arm Assembly (9'6" MVP and HEAVYWEIGHT)	68	61553	Light Bracket (long)
	49277	Lift Arm Assembly (all other blades)	69	93072	Clevis Pin (9'6" MVP and HEAVYWEIGHT)
63	61362	Lift Frame Assembly (3/8" side angle (PRO-PLOW))		93040K	Clevis Pin (all other blades)
	62620	Lift Frame Assembly (8'6" MVP)	70	63585	Stand Pin Assembly
	-	Lift Frame Assembly (9'6" MVP)	71	77969	Lock Pin Assembly
	62185	Lift Frame Assembly (HEAVYWEIGHT)	72	61487	Spacer
	61903	Lift Frame Assembly, 1/4 Side Angle (all other blades)	73	28340	Headlamp Extension Bracket Kit
64	62199	Stand Assembly (9'6" MVP and HEAVYWEIGHT)			
	61353	Stand Assembly (all other blades)			

COMMON MOUNT COMPONENTS



Item	Part	Description	Dimension "A"	Part	Description
74	61916	Link Arm Lug	3.28	61432	Link Arm
75	61917	Coupling Lug	4.56	61412	Link Arm
76	63497	Link Arm	5.50	62184	Link Arm (9'6" MVP and HEAVYWEIGHT)
77	63940	Link Arm Kit	6.13	64610	Link Arm (HEAVYWEIGHT)

CUTTING EDGES

Size	Blade Description	Material Thickness			Size	Blade Description	Material Thickness		
		1/4"	3/8"	1/2"			1/4"	3/8"	1/2"
6'6"	Sport Utility	49264	-	-	8'6"	PRO-PLOW	-	49086	49348
7'2"	LSX	-	63541	-	9'	PRO-PLOW	-	49251	49349
6'6"	Standard	-	49066	-	8'6"	MVP w/Carbide - DS	-	62649	-
7"	Standard	-	49070	-	8'6"	MVP w/Carbide - PS	-	63284	-
7'6"	Standard	-	49088	-	8'6"	MVP Kit w/Carbide - DS, PS, and Center Flap Kit	-	62540	-
7'6"	Poly Standard	-	49312	-					
7'6"	POLY PRO-PLOW	-	49312	49350	8'6"	MVP w/o Carbide - Either Side	-	21608	28407
8"	POLY PRO-PLOW	-	49328	49351	9'6"	MVP - Either Side	-	-	63678
7'6"	PRO-PLOW	-	49088	49346	9'6"	MVP - DS, PS, and Center Flap Kit	-	-	66420
8"	PRO-PLOW	-	49089	49347	9'	HEAVYWEIGHT	-	-	58817
8'6"	PRO-PLOW	-	49086	49348	10'	HEAVYWEIGHT	-	-	58818

Copyright © 2020 Douglas Dynamics, LLC. All rights reserved. This material may not be reproduced or copied, in whole or in part, in any printed, mechanical, electronic, film or other distribution and storage media, without the written consent of Western Products. Authorization to photocopy items for internal or personal use by Western Products outlets or snowplow owner is granted.

Western Products reserves the right under its product improvement policy to change construction or design details and furnish equipment when so altered without reference to illustrations or specifications used. Western Products or the vehicle manufacturer may require or recommend optional equipment for snow removal. Do not exceed vehicle ratings with a snowplow. Western Products offers a limited warranty for all snowplows and accessories. See separately printed page for this important information. The following are registered (®) or unregistered (™) trademarks of Douglas Dynamics, LLC: MVP®, POLY PRO-PLOW®, PRO-PLOW®, UniMount®, WESTERN®.

Western Products
P.O. Box 245038, Milwaukee, WI 53224-9538
www.westernplows.com

Lit. No. 64158, Rev. 07 Printed in U.S.A. December 15, 2020