

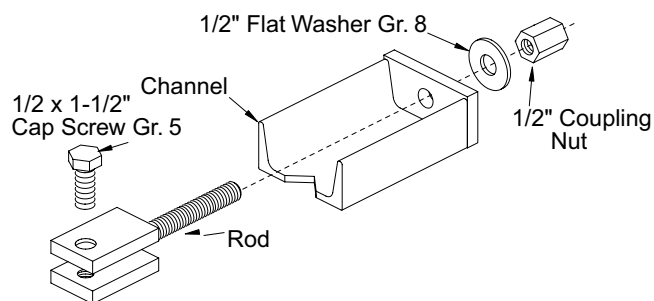
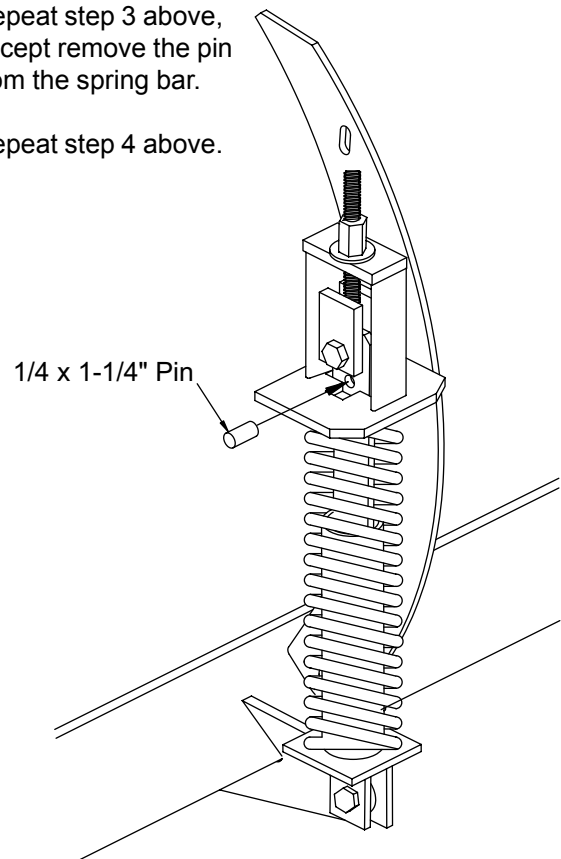
To Replace A Spring On The Blade, Follow The Instructions Below.

⚠ CAUTION

Servicing the trip springs without special tools and knowledge could result in personal injury. See your authorized outlet for service.

1. Insert the threaded rod in through the hole in the channel weldment. Be sure the threaded hole in the tab on the rod is nearest to the channel.
2. Place the assembly on to the top anchor above the spring as illustrated. Be sure to place the spring bar in between the tabs on the rod. Insert the 1/2 x 1-1/2" Gr. 5 cap screw through the outside tab, through the hole in the spring bar, and tighten into the threaded hole.
3. Drop the 1/2" flat washer Gr. 8 over the threaded rod and fasten the nut to the threaded rod. Tighten the nut until the spring bar is raised enough to insert the pin through the pin hole. Center the pin within the hole.
4. Loosen the nut to lower the spring bar. Remove the spring tool assembly by removing the 1/2" cap screw.
5. Remove the spring from the blade by removing the bolt from the bottom of the spring bar.
6. Insert the new spring with the spring bar up through the top anchor on the blade. Fasten the bottom of the spring bar to the anchor on the trip edge with the previously removed fasteners. Tighten.

7. Repeat steps 1 and 2 above.
8. Repeat step 3 above, except remove the pin from the spring bar.
9. Repeat step 4 above.



Parts List			
Ref#	Part#	Qty	Description
1	20049	1	Channel Weldment
2	20050	1	Rod Weldment
3	90210	1	1/2-13 x 1-1/2" (Nc) Gr. 5 Cap Screw
4	98022	1	1/2" Coupling Nut
5	90572	1	1/2" Gr. 8 Flat Washer
6	20181	1	1/4 x 1-1/4" Pin