

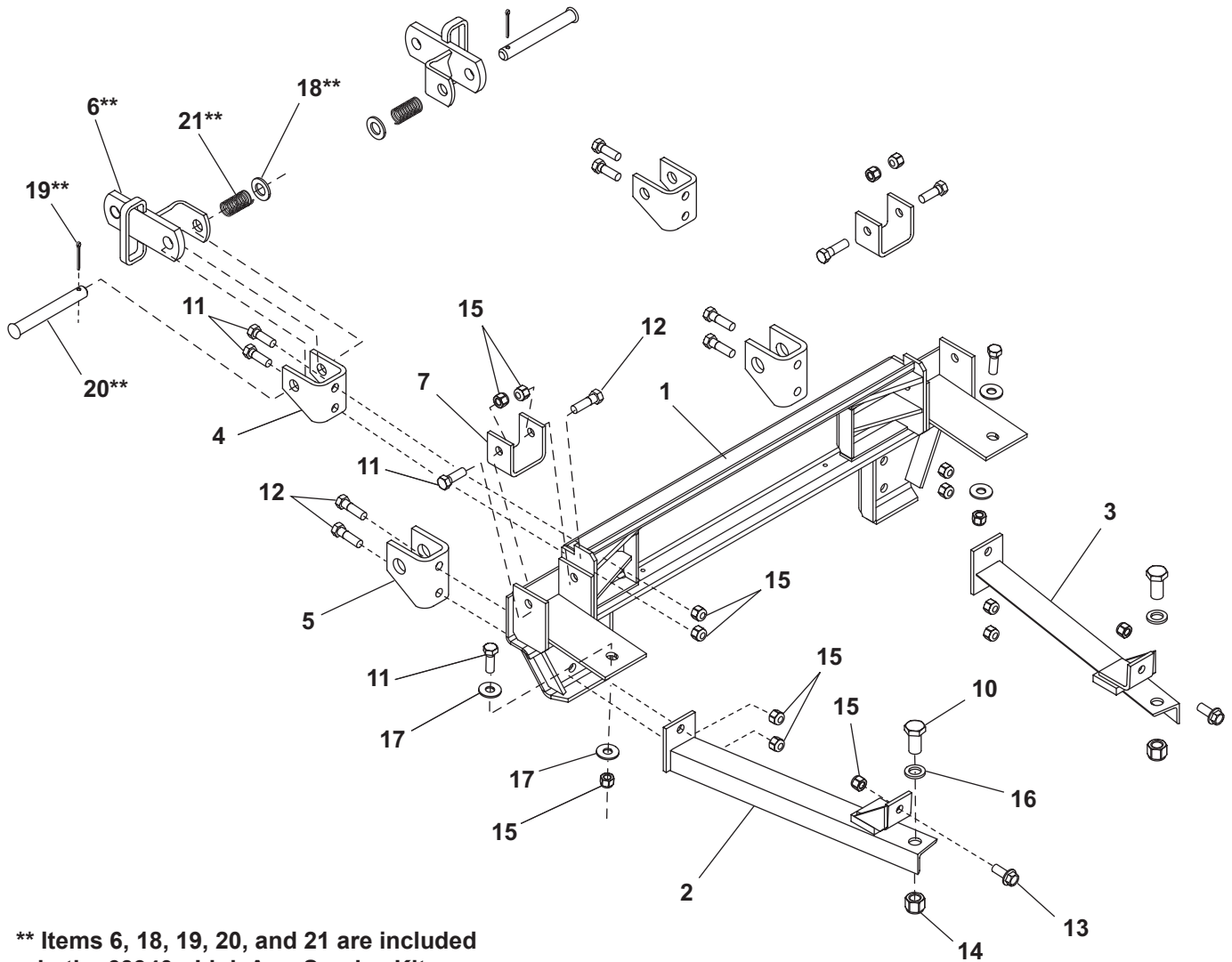


WESTERN PRODUCTS
P.O. BOX 245038
MILWAUKEE, WI 53224-9538



 A DIVISION OF DOUGLAS DYNAMICS, L.L.C.

PARTS LIST - Model 3525
Mount Assembly Box No. 63360-1
Chevy/GM 2500/3500 4x4
1999 and Later



**** Items 6, 18, 19, 20, and 21 are included
in the 63940 - Link Arm Service Kit.**

(Over)

PARTS LIST - Model 3525

MODEL 3525 - MOUNT ASSEMBLY							
ITEM	PART	QTY.	DESCRIPTION	ITEM	PART	QTY.	DESCRIPTION
1	64064	1	MOUNT FRAME	5	61917	2	COUPLING LUG
2	63362	1	THRUST ARM - DS	6	63497	2	LINK ARM
3	63363	1	THRUST ARM - PS	7	63424	2	SPACER
4	61916	2	LINK ARM LUG				
* 63426 - BOLT BAG <i>includes the following:</i>							
10	90152	2	3/4-10X1-1/2 HEX CAP SCREW G5	18	91147	2	3/4 FLAT WASHER
11	90210	8	1/2-13X1-1-1/2 HEX CAP SCREW G5	19	91911	2	5/32X1-1/2 COTTER PIN ZYC
12	90101	6	1/2-13X1-3/4 HEX CAP SCREW G5	20	63354	2	CLEVIS PIN 3/4 X 6.00 HT ZYC
13	63334	2	1/2-13X1-1-1/4 WLF SCREW ZP	21	63356	2	SPRING 3/4 ID X 3.00 LG
14	91338	2	3/4-10 HEX LOCKNUT GB	*	55930	1	BATTERY CABLE ADAPTOR - SET OF 2
15	91335	16	1/2-13 HEX LOCKNUT GB	*	61536	2	CABLE TIE - LONG
16	63380	2	ROUND FLAT WASHER-SPECIAL				
17	91105	4	1/2 FLAT WASHER				

* 63940 - LINK ARM SERVICE KIT			
ITEM	PART	QTY.	DESCRIPTION
6	63497	1	LINK ARM
18	91147	1	3/4 FLAT WASHER
19	91911	1	5/32 x 1-1/2 COTTER PIN ZYC
20	63354	1	CLEVIS PIN 3/4 X 6.00 HT ZYC
21	63356	1	SPRING 3/4 ID X 3.00 LG

Abbreviations	
DS	Driver Side
G	Grade
HT	Heat Treated
ID	Inside Diameter
LG	Long
PS	Passenger Side
WLF	Whiz-Lock Flange
ZYC	Zinc Yellow Chromate

*** NOT SHOWN**

Copyright © 2002 Douglas Dynamics, L.L.C. All rights reserved. This material may not be reproduced or copied, in whole or in part, in any printed, mechanical, electronic, film or other distribution and storage media, without written consent of Western Products. Authorization to photocopy items for internal or personal use by Western Products outlets is granted.

Western Products reserves the right under its Product Improvement Policy to change construction or design details and furnish equipment when so altered without reference to illustrations or specifications used herein. Western Products and the vehicle manufacturer may require and/or recommend optional equipment for snow removal. Western Products offers a limited warranty on all snowplows and accessories. See separately printed page for this important information. The following are registered ® trademarks of Douglas Dynamics, L.L.C: WESTERN® and UniMount®.

Printed in the U.S.A.