



Plug-In Harness Installation Instructions for Non DRL:

- 1999 & Later Dodge Ram with dual HB-1 headlamps
- 1999 & Later Dodge Ram with quad HB-5 & HB-1 headlamps
- 1999 & Later Dakota with dual HB-5 headlamps

*Use 61540 Headlamp Kit 9-Pin with Straight Blades
Use 66640 Headlamp Kit 12-Pin MVP® for MVP® Blades*

STRAIGHT BLADE KITS

Harness Kit No. 62917 HB-1 -F
Harness Kit No. 63396 HB-5/HB-1 -F

MVP® BLADE KITS

Plug-In Kit No. 62921 HB-1 -F
Plug-In Kit No. 63398 HB-5/HB-1 -F

▲ CAUTION

See your WESTERN® outlet for application recommendations. The Selection List has specific vehicle and snowplow requirements.

PARTS LIST CHART

Indented parts are included in the assembly under which they are listed. Quantities shown are included with the assembly.

Without DRL's						
Part No.		Ram Dual		Ram Quad		Dakota
		Straight Blade	MVP® Blade	Straight Blade	MVP® Blade	Straight Blade
		62917 Harness Kit HB-1	62921 Plug-in HB-1	63396 Harness Kit HB5/HB1	63398 Plug-In HB5/HB1	63396 Harness Kit HB5
26009	PLUG-IN HARNESS HB-1(9004) -F	1	1			
26027	PLUG-IN HARNESS HB-5/HB-1 -F			1	1	1
61437	VEHICLE HARNESS 9-PIN	1	*	1	*	1
26013	FUSE HOLDER ASSY	1	1	1	1	1
62920	PARTS BAG (HARNESS KIT HB-1 -F)	1	1			
63397	PARTS BAG (HARNESS KIT HB-1 -F)			1	1	1
. 26010	JUMPER ASSY W/DIODE (White)	1	1	1	1	1
. 26016	JUMPER ASSY - 5" (Black)	1	1	1	1	1
. 61535	RELAY SPDT	2	2	3	3	3
. 62919	JUMPER ASSY - 2 WAY	1	1	1	1	1
. 61562	JUMPER WIRE (Tan)			2	2	2
61547	PARTS BAG (HARNESS KITS U)	1	*	1	*	1
. 61535	RELAY SPDT	2	*	2	*	2
. 60109	FLASHER HD	1	*	1	*	1
. 61548	PLUG COVER	2	*	2	*	2
. 59224	BULLET RECEPTACLE CONNECTOR	3	*	3	*	3
. 59223	CABLE TIE	8	*	8	*	8

*In Headlamp carton

Abbreviations	
ASSY	Assembly
HD	Heavy Duty
SPDT	Single Pole Double Throw
U	UniMount® System

HARNES INSTALLATION

INSTALLATION INSTRUCTIONS

NOTE: This installation uses the vehicle headlamp circuits to activate relays, which allow the plow headlamps to be powered directly off the battery.

1. Follow the installation instructions furnished with the mount with the following exceptions.
2. Locate the end of the plug-in harness with the four wires (six on quads) with blade receptacles behind the driver-side headlamp. Route the other end of the harness with the purple wire bullet end to the area behind the passenger-side headlamp.
3. On the passenger-side, remove the headlamp connector from the vehicle headlamp and mate the vehicle socket with the male connector on the plug-in harness. Mate the plug-in harness socket with the vehicle headlamp.

On quad lamps: you will have two male and two socket ends to connect, the three wire connectors go to the outside headlamps and the two wire connectors go to the in-board headlamps.

Dakota dual lamps: only the three wire connectors of the plug-in harness are used. The two wire connectors can be plugged together to keep them out of the way.

Connect the purple wire bullet to the black bullet receptacle attached to the passenger-side turn signal wire on the vehicle.

4. On the driver-side, make the same connections to the vehicle headlamps and sockets as you made on the passenger-side.

⚠ CAUTION

Batteries normally produce explosive gases, which can cause personal injury. Therefore, do not allow flames, sparks or lit tobacco to come near the battery. When charging or working near a battery, always cover your face and protect your eyes, and also provide ventilation.

Batteries contain sulfuric acid that burns skin, eyes and clothing.

Disconnect the battery before removing or replacing any electrical components.

5. Connect the purple wire bullet from the vehicle harness to the purple wire bullet receptacle on the plug-in harness.
6. Remove NEGATIVE battery cable from battery.
7. At the motor relay, remove the nut, lock washer, and red 22" battery cable from the large terminal and install the 5/16" ring terminal of the fuse holder assembly, found in this kit, to the motor relay terminal. (See diagram below.) Reinstall the 22" red battery cable, lock washer, and nut. Secure nut.

NOTE: Tape the four (five on quads) headlamp relays together with electrical tape to ease wire installation.

8. Attach wires from the vehicle harness and the plug-in harness to the four relays (five on quad installations) as shown in the diagram for your vehicle.

On Dakota installations: the two blue wires with receptacles are not used. They can be bundled and tied out of the way.

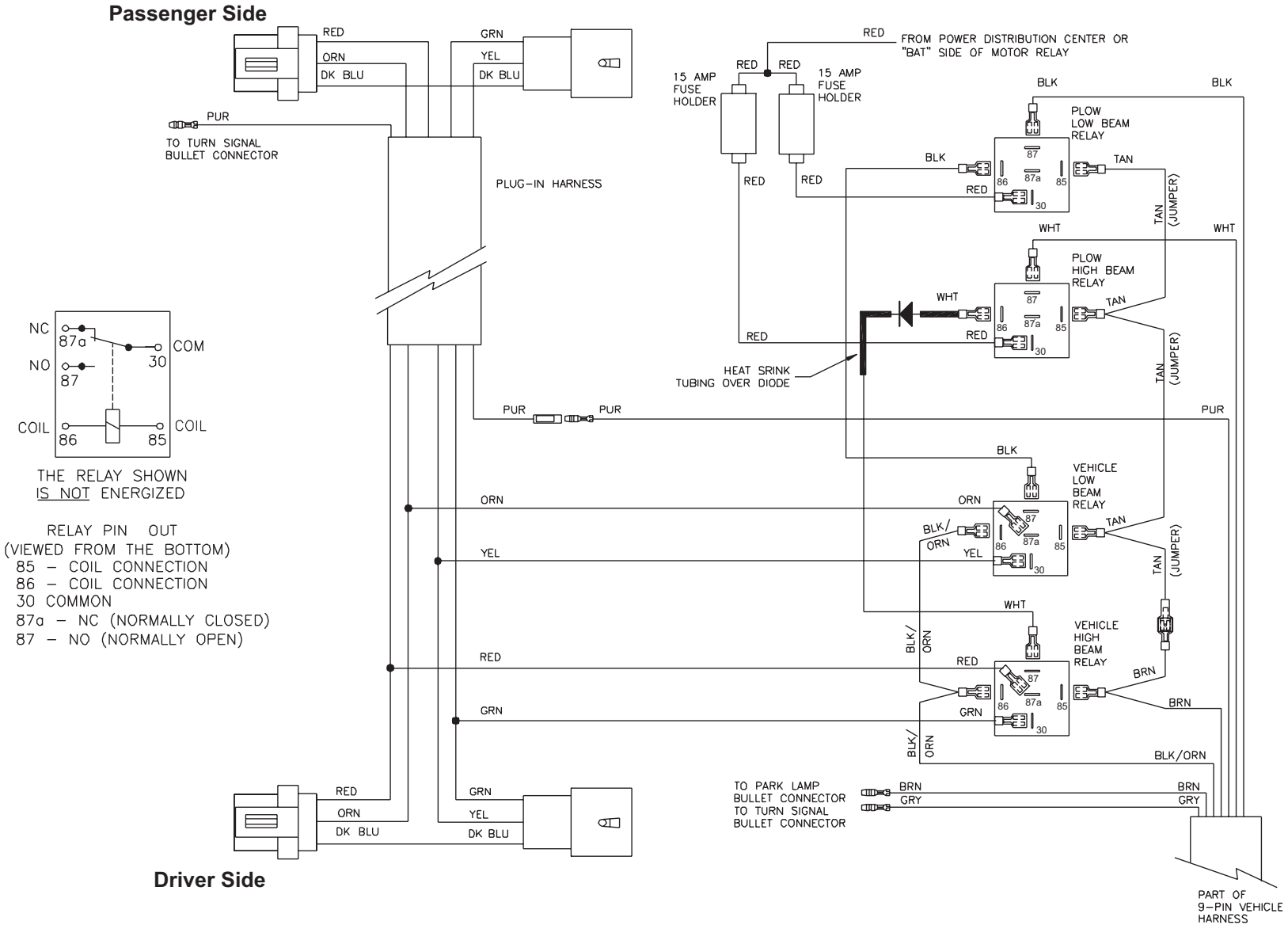
Fuse Holder Assembly



NOTE: The white jumper wire contains a diode and must be installed correctly. Connect the white wire receptacle without the heat shrink to terminal 87 of the vehicle high beam relay. The white wire receptacle with the heat shrink covered diode connects to terminal 86 of the plow high beam relay.



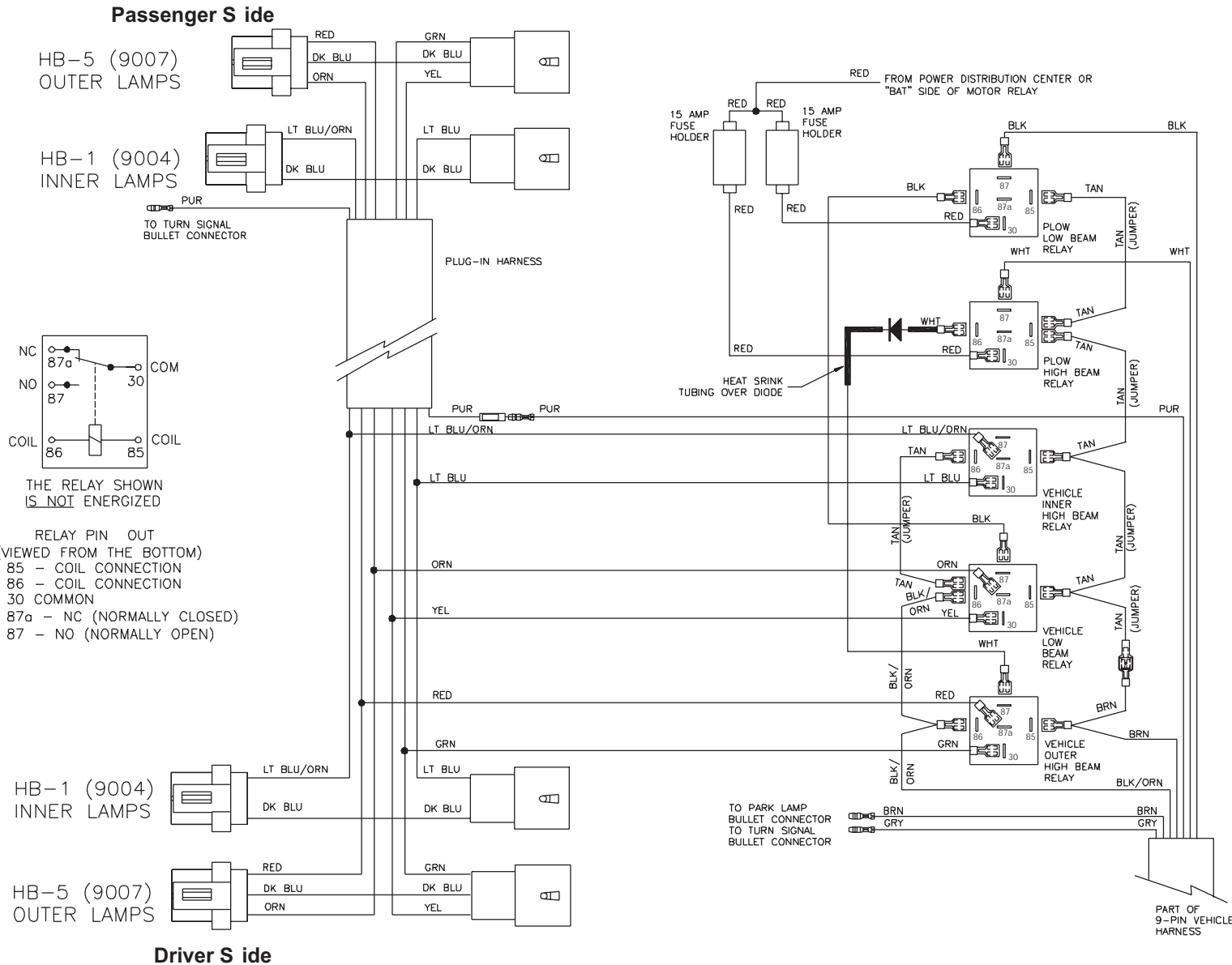
**Ram Dual HB-1
62917 Harness Kit or
62921 Plug-In Harness Kit (MVP®)
9-Pin Headlamps**



NOTE: The white jumper wire contains a diode and must be installed correctly. Connect the white wire receptacle *without the heat shrink* to terminal 87 of the vehicle high beam relay. The white wire receptacle *with the heat shrink* covered diode connects to terminal 86 of the plow high beam relay.



**Ram Quad HB-5/HB-1
63396 Harness Kit or
63398 Plug-In Harness Kit (MVP®)
9-Pin Headlamps**

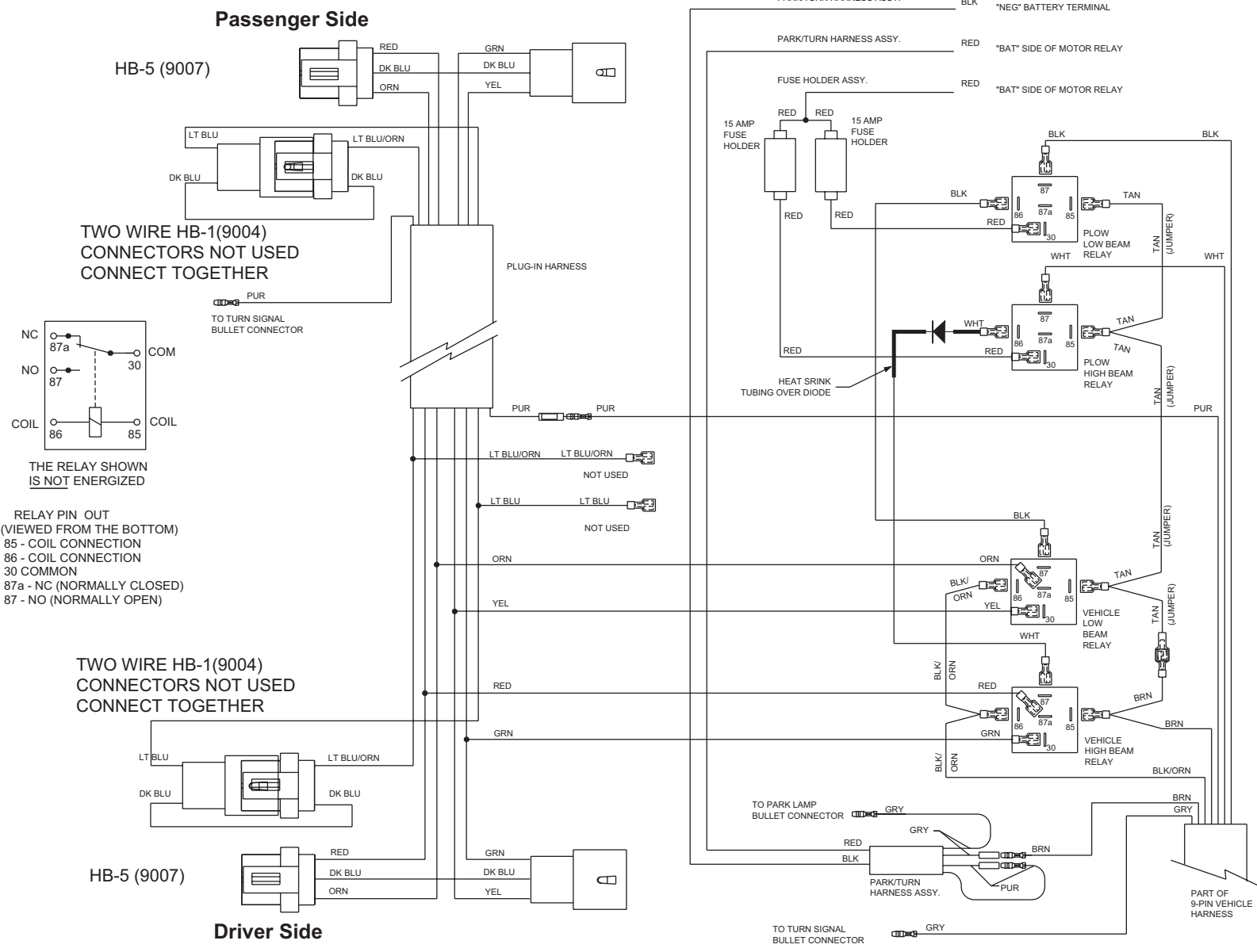


NOTE: The white jumper wire contains a diode and must be installed correctly. Connect the white wire receptacle without the heat shrink to terminal 87 of the vehicle high beam relay. The white wire receptacle with the heat shrink covered diode connects to terminal 86 of the plow high beam relay.



**2000 and Later Dakota Dual HB-5
63396 Harness Kit
9-Pin Headlamps**

RELAY CONNECTIONS DIAGRAM

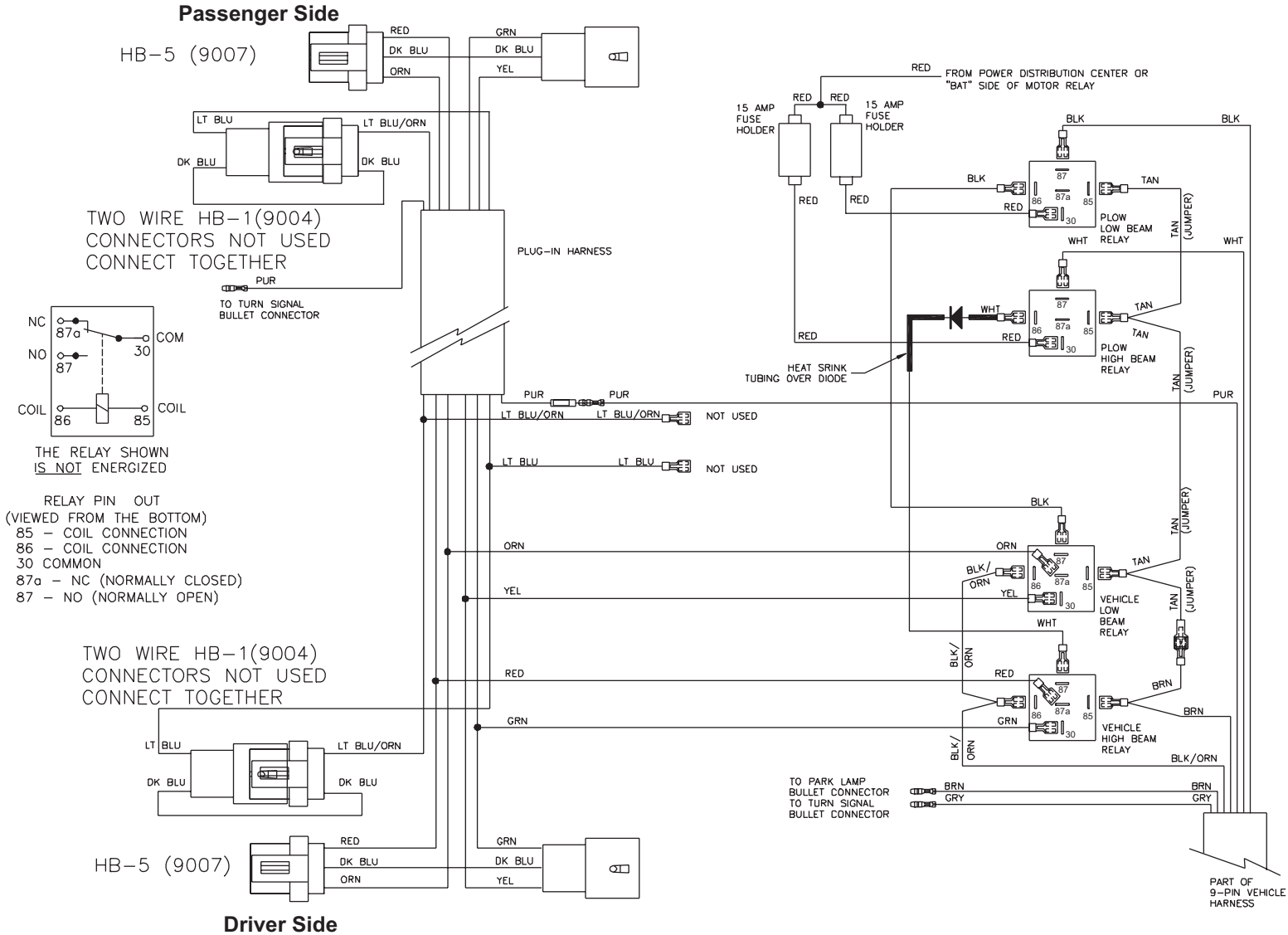


NOTE: The white jumper wire contains a diode and must be installed correctly. Connect the white wire receptacle without the heat shrink to terminal 87 of the vehicle high beam relay. The white wire receptacle with the heat shrink covered diode connects to terminal 86 of the plow high beam relay.



**1999 Dakota Dual HB-5
63396 Harness Kit
9-Pin Headlamps**

RELAY CONNECTIONS DIAGRAM





WESTERN PRODUCTS
P.O. BOX 245038
MILWAUKEE, WI 53224-9538



A DIVISION OF DOUGLAS DYNAMICS, L.L.C.

Western Products reserves the right under its Product Improvement Policy to change construction or design details and furnish equipment when so altered without reference to illustrations or specifications used herein. Western Products and the vehicle manufacturer may require and/or recommend optional equipment for snow removal. Western Products offers a limited warranty on all snowplows and accessories. See separately printed page for this important information. The following are registered® trademarks of Douglas Dynamics, L.L.C.: MVP®, UNIMOUNT®, and WESTERN®.